

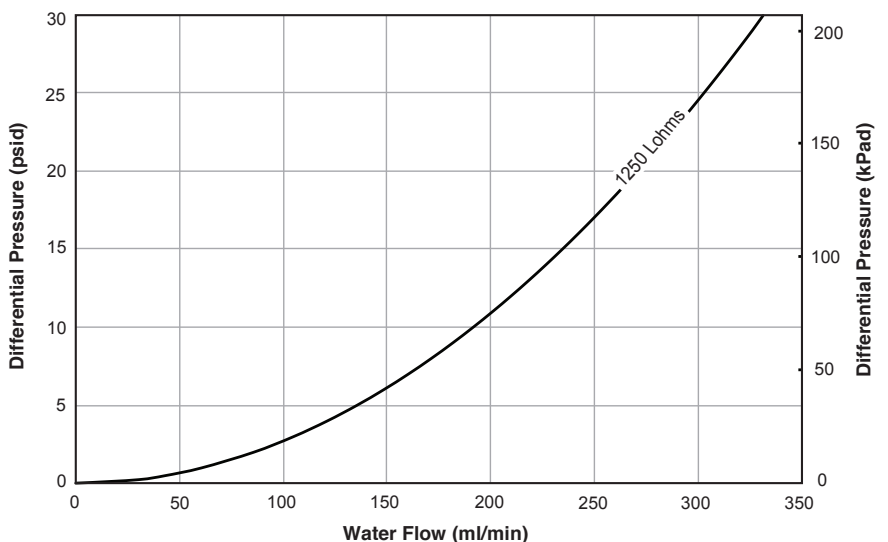
LFV SERIES 2-WAY INERT SOLENOID VALVE

The Lee Company's LFV Series Inert Solenoid Valve is a chemically inert, isolation style valve with zero dead volume and extremely low internal volume. Available as a 2-way normally closed design, the valve contains a diaphragm seal that isolates the fluid from the inner details, and provides consistent reliable switching performance. The valve is also rated for bi-directional flow and features a contoured flow path design to allow for complete flushing capability.

The LFV Series valve is generally used in medical and scientific applications, in markets such as in vitro diagnostics, human genomics, biotechnology, environmental analyzers and other OEM devices. Each valve is 100% functionally tested for performance and designed using materials that ensure consistent long-term performance.

Performance parameters can be optimized to meet specific application requirements. The Lee Company also offers an array of standard manifolds for testing, as well as custom designed manifold configurations for production. Contact your Lee Sales Engineer for additional technical assistance and application information.

- Chemically inert
- Zero dead volume
- Low internal volume
- Bi-directional flow
- Multiple styles: flange mount, coupling screw and soft tube barbed
- Flow capacity: 1250 Lohms* (330 mL/min at 30 psid; Ref. Cv = 0.016)
- Power consumption: 1.5 W



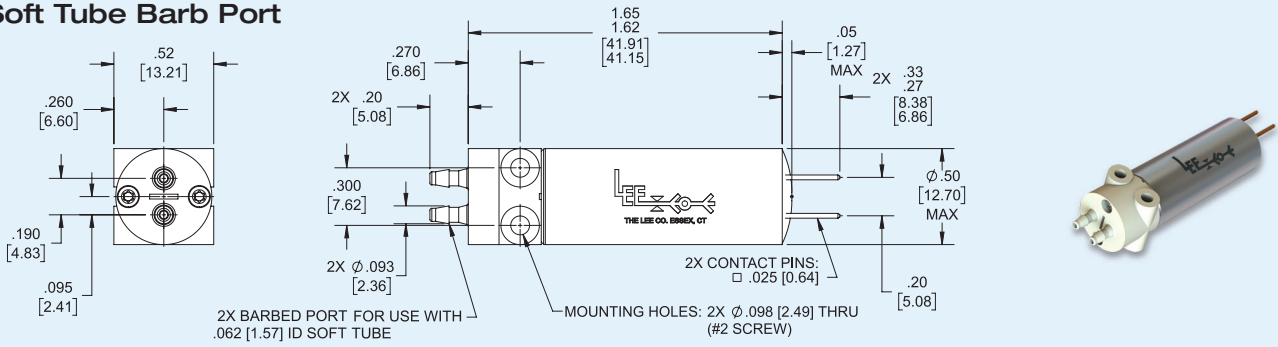
* The Lohm is a measure of flow resistance. Additional information can be found at www.theleeco.com.

STYLE	PART NUMBER	OPERATING VOLTAGE (Vdc)	FLOW CAPACITY ON WATER AT 70°F (21°C)	OPERATING PRESSURE (psig)	WETTED MATERIALS ¹
Soft Tube Barb Port	LFVA1228110H	12	1250 Lohms (330 mL/min at 30 psid; Ref. Cv = 0.016)	Vac - 30	FKM/PEEK
	LFVA2428110H	24		Vac - 30	FKM/PEEK
	LFVA1228210H	12		Vac - 30	EPDM/PEEK
	LFVA2428210H	24		Vac - 30	EPDM/PEEK
Coupling Screw Mount	LFVA1248110H	12	1250 Lohms (330 mL/min at 30 psid; Ref. Cv = 0.016)	Vac - 30	FKM/PEEK
	LFVA2448110H	24		Vac - 30	FKM/PEEK
	LFVA1248210H	12		Vac - 30	EPDM/PEEK
	LFVA2448210H	24		Vac - 30	EPDM/PEEK
Flange Mount	LFVA1258110H	12	1250 Lohms (330 mL/min at 30 psid; Ref. Cv = 0.016)	Vac - 30	FKM/PEEK
	LFVA2458110H	24		Vac - 30	FKM/PEEK
	LFVA1258210H	12		Vac - 30	EPDM/PEEK
	LFVA2458210H	24		Vac - 30	EPDM/PEEK

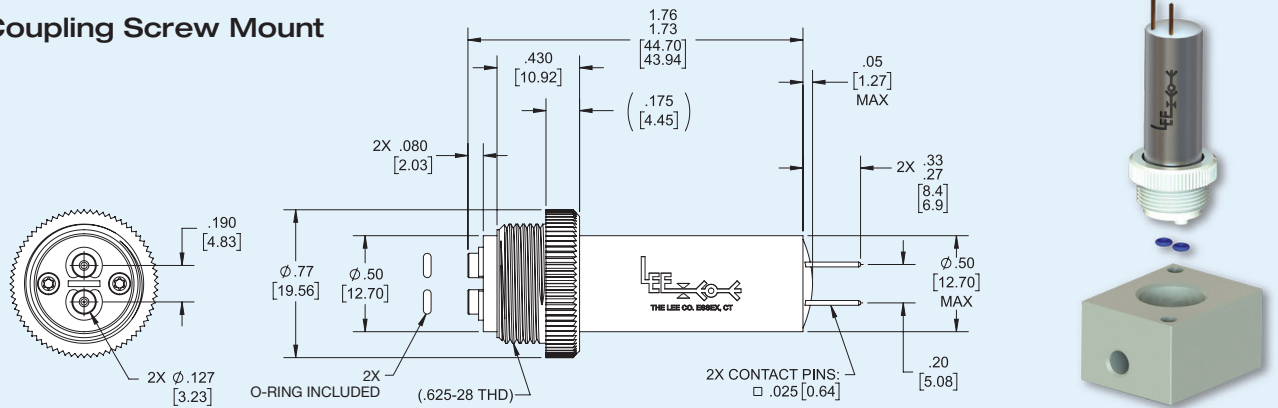
NOTE: (1) FFKM elastomer available upon request.

LFV SERIES 2-WAY INERT SOLENOID VALVE

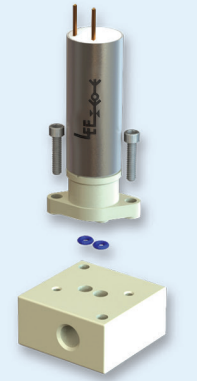
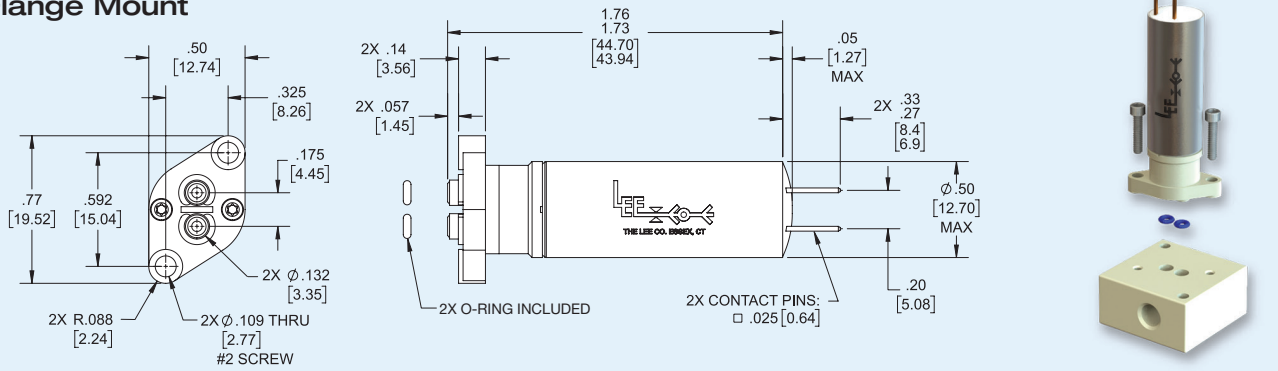
Soft Tube Barb Port



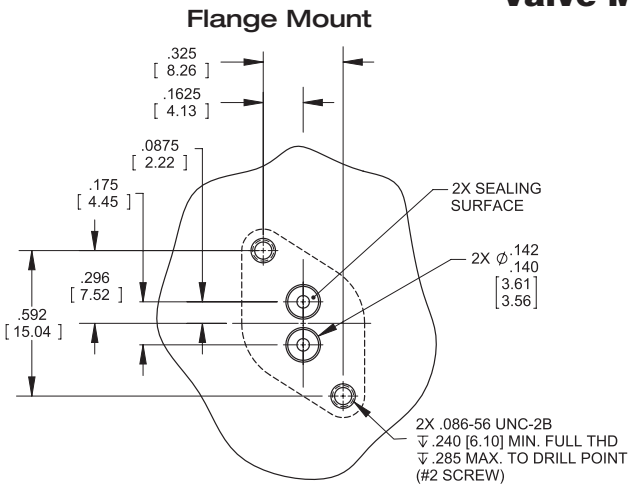
Coupling Screw Mount



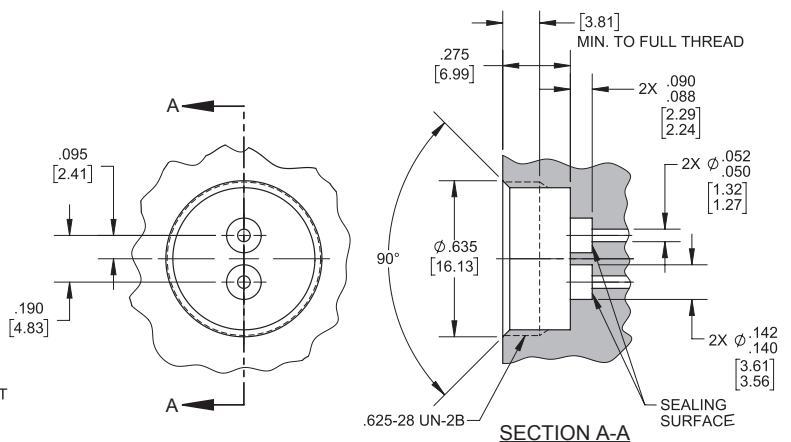
Flange Mount



Valve Mounting Details



Manifold Mount



Reference Drawing Number LSIX1001540A for Mounting Details.

Reference Drawing Number LSIX1001530A for Mounting Details.

Unless otherwise specified, dimensions are in inches [mm]. Drawings are not to scale.