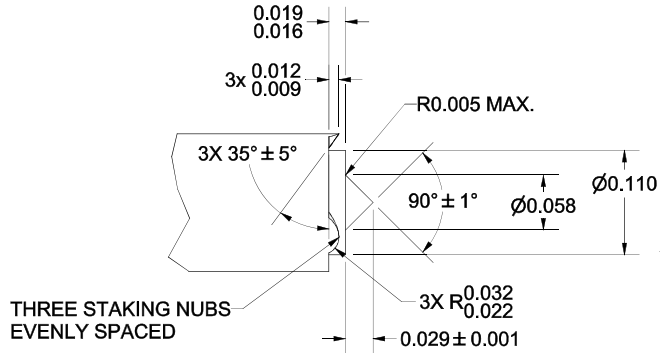
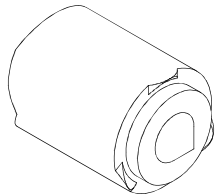
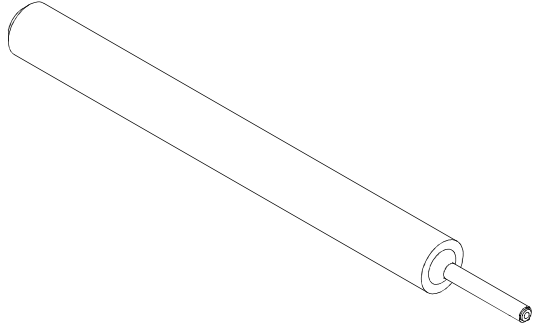
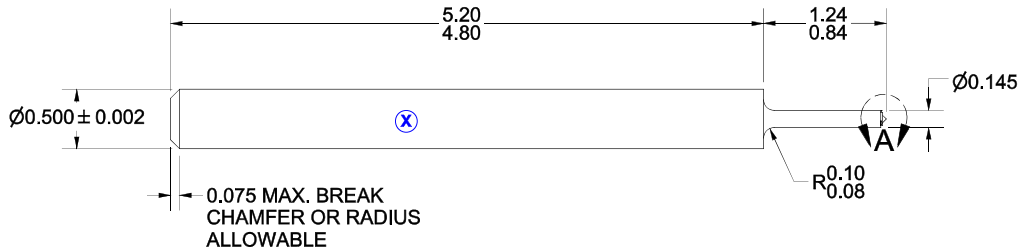



Revision Info.	
Rev	Change Description
A	New document



DETAIL A
SCALE 8 : 1

- NOTES:
- INSTALLATION TOOL HEAT TREAT: SOAK FOR 20 MINUTES AT 1700°F-1750°F. AIR COOL THEN TEMPER FOR ONE HOUR BETWEEN 375°F AND 400°F TO ATTAIN Rc 56-58.
 - INSTALLATION TOOL USED FOR INSTALLING THE 4MM LEE BETAPLUG 6000 SERIES - PART NUMBER PLBA0402604S.
 - MARK WITH PART NUMBER AND REVISION LETTER PER TITLEBLOCK. (X)

THIRD ANGLE PROJECTION	UNLESS OTHERWISE SPECIFIED EXTERNAL RADIUS R INTERNAL FILLET R SURFACE FINISH MAXIMUM	Author Origination Date Modification Date	Vernon, Jon 2/21/2005 11/3/2015	 <p>The Lee Company Industrial Microhydraulics Group Technical Center Westbrook, CT 06498 / U.S.A.</p>
CODE IDENT NO. NUMBER	CRITICAL CHARACTERISTICS	MATL. H.T.	S-7 1	
Sheet Size	PROPRIETARY ITEM This document contains proprietary information and is submitted upon the express condition that the information contained herein will not be used directly in any way detrimental to the interests of The Lee Company and/or in violation of regulation D.A.R. 7-104-9 (d) (1 July 1974), et seq.	FINISH	<p>DIMENSIONS ARE IN INCHES</p> <p>DO NOT SCALE DRAWING</p> <p>2PL ±.01 3PL ±.003 4PL ±.0010 ANG ±2*</p>	<p>TITLE: LEE BETAPLUG, INSTALLATION/STAKING TOOL, 4MM BETAPLUG, INDENT</p>
B				<p>-FMF / Used On- Lee Betaplug Product</p> <p>Part Number PLBT0470030S</p> <p>REV. State Released</p> <p>SHEET 1 of 1 SCALE: 1:1</p>