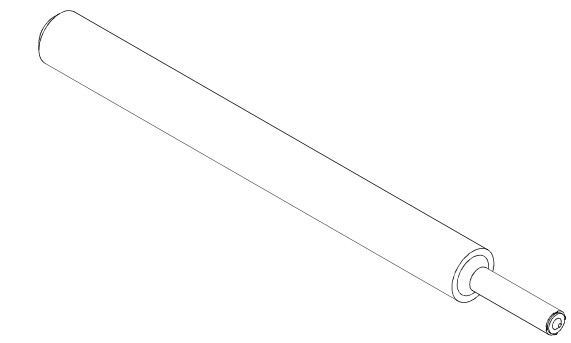



Revision Info.	
Rev	Change Description
A	Released



DETAIL A  
SCALE 8 : 1

- NOTES:
- INSTALLATION TOOL HEAT TREAT: SOAK FOR 20 MINUTES AT 1700°F-1750°F. AIR COOL THEN TEMPER FOR ONE HOUR BETWEEN 375°F AND 400°F TO ATTAIN Rc 56-58.
  - MARK WITH PART NUMBER AND REVISION LETTER PER TITLEBLOCK. (X)

THIRD ANGLE PROJECTION	UNLESS OTHERWISE SPECIFIED EXTERNAL RADI R INTERNAL FILLET R SURFACE FINISH MAXIMUM 63	Author Vernon, Jon Engineer E. Dutton Origination Date 11/15/2016 Modification Date 12/9/2016	 <b>The Lee Company</b> Industrial Microhydraulics Group Technical Center Westbrook, CT 06498 / U.S.A.	
CODE IDENT NO. NUMBER OS730	CRITICAL CHARACTERISTICS	MATL S-7	TITLE: LEE BETAPLUG, INSTALLATION/STAKING TOOL, 6MM BETAPLUG, INDENT	
Sheet Size B	PROPRIETARY NOTICE <small>This document contains confidential, trade secret information which is proprietary to The Lee Company, and is authorized upon the express condition that neither it, nor any products, will be used directly or indirectly in any way detrimental to the interests of The Lee Company, such as disclosure to others or replication of our products, and in violation of 18 U.S.C. 1905 (2013), 18 U.S.C. 1924 (2013), E.O. 12812 of 6/23/97, 18 U.S.C. 1832, and C.O.S.A. (CT) Chapter 665 sec. 55-59 from 95-58.</small>	FINISH	DO NOT SCALE DRAWING	REV. A
		DIMENSIONS ARE IN INCHES TOLERANCES 2PL ±.01 3PL ±.003 4PL ±.0010 ANG ±2*	-FMF / Used On- Lee Betaplug Product	PART # PLBT0670031S REV. State Released
				SHEET 1 of 1 SCALE: 1:1