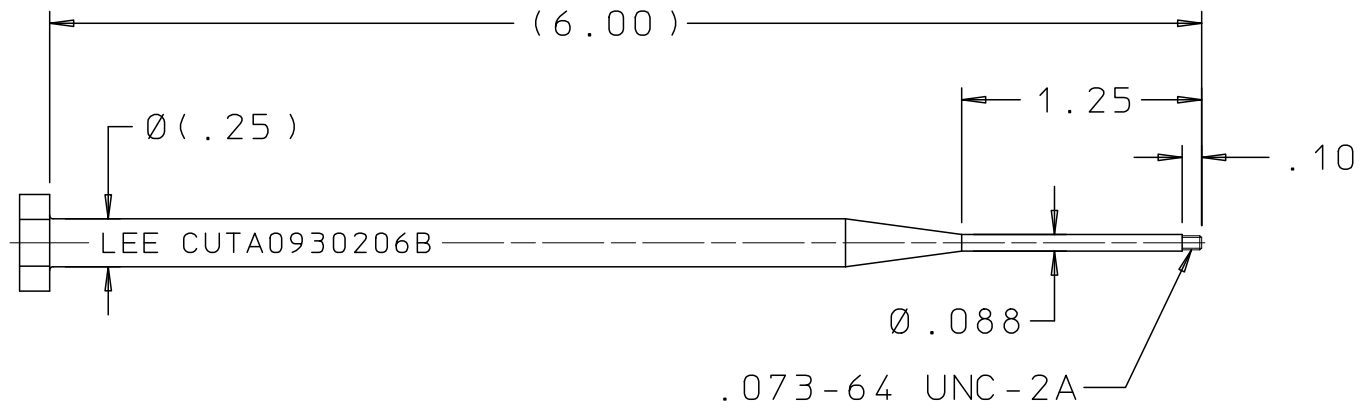
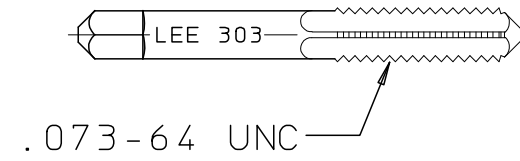


CUTA0930106C

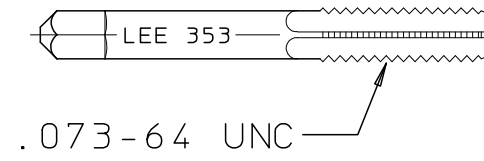
REV	DATE	BY	DESCRIPTION
A3	07-21-10	KD	PIN INSTAL TOOL: Ø(.50) WAS Ø.50. STRIKER: Ø(1.50) WAS Ø1.50 & (1.25) WAS 1.25.
B	09-22-15	KD	UPDATED BODY & PIN EXTRACTION TOOL; ADDED 2 FLATS. REMOVED HEX.



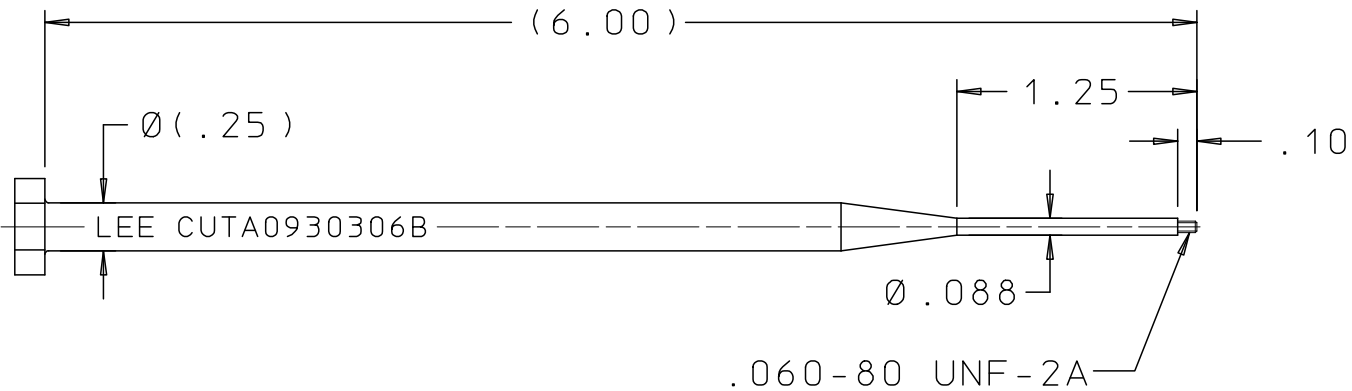
BODY EXTRACTION TOOL



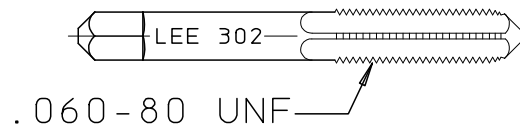
STARTER TAP
PLUG EXTRACTION
(CUTA3035503B)



BOTTOMING TAP
PLUG EXTRACTION
(CUTA3535503B)



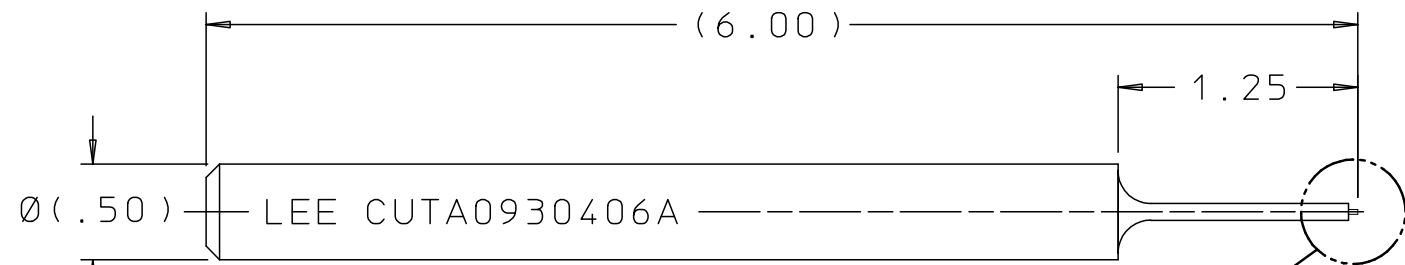
PIN EXTRACTION TOOL



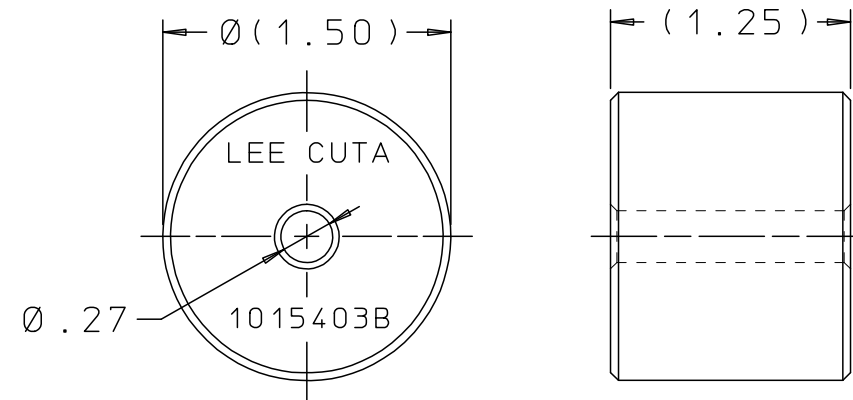
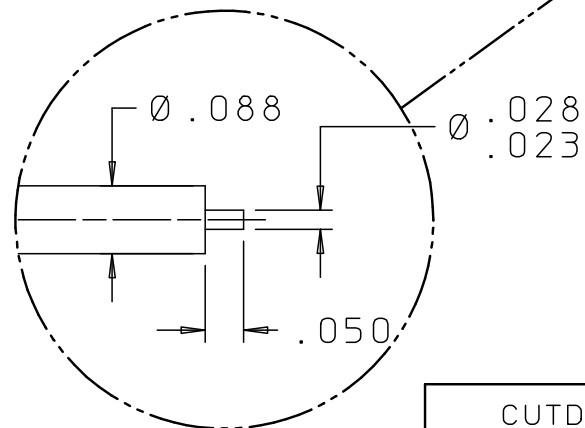
STARTER TAP
PIN EXTRACTION
(CUTA3024403B)



BOTTOMING TAP
PIN EXTRACTION
(CUTA3524403B)



PIN INSTALLATION
TOOL



STRIKER

PROPRIETARY ITEM

This document contains proprietary information and is submitted upon the express condition that the information contained herein will not be used directly or indirectly in any way detrimental to the interests of The Lee Company, and/or in violation of regulation DAR 7-104.9(a)(1 July 1974), et seq.

CUTD0930106
REFERENCE

DWG NO: CUTA0930106C	NOTES AND DIMENSIONS SHOWN HERE ON ARE FOR INSPECTION IDENTIFICATION ONLY. ALL MANUFACTURING RIGHTS RESERVED.	DRAWN BY: K D 10-26-07	LEE TOOL SET, INST/EXTR	
	EXTERNAL CORNER RAD: INTERNAL FILLET RAD:	CHK'D BY: DEP 11-05-07	CHEK, .093	
	SURFACE FINISH ✓ ALL OVER DIMENSIONS ARE IN INCHES	APPD BY: B B 11-19-07	THE LEE COMPANY WESTBROOK, CT 06498	
	TOLERANCES 2 PLACES ±.015 3 PLACES ±.005 ANGLES ±5°	MAT: H.T.: FINISH:	SIZE B	CAGE CODE 92555
		DWG SCALE: NONE		REV B
		SHEET 1 OF 1		