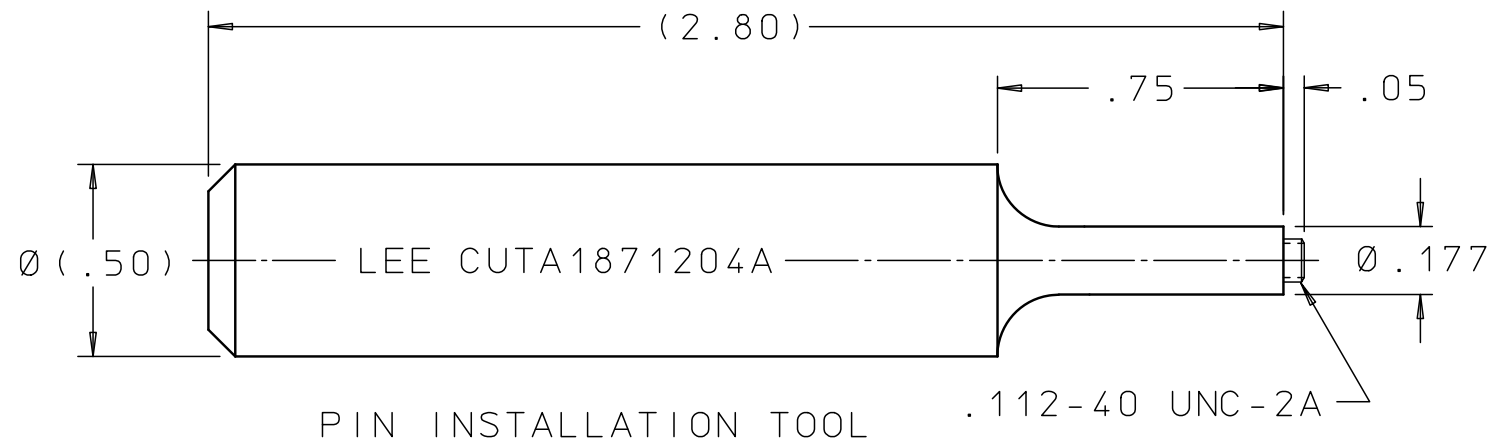
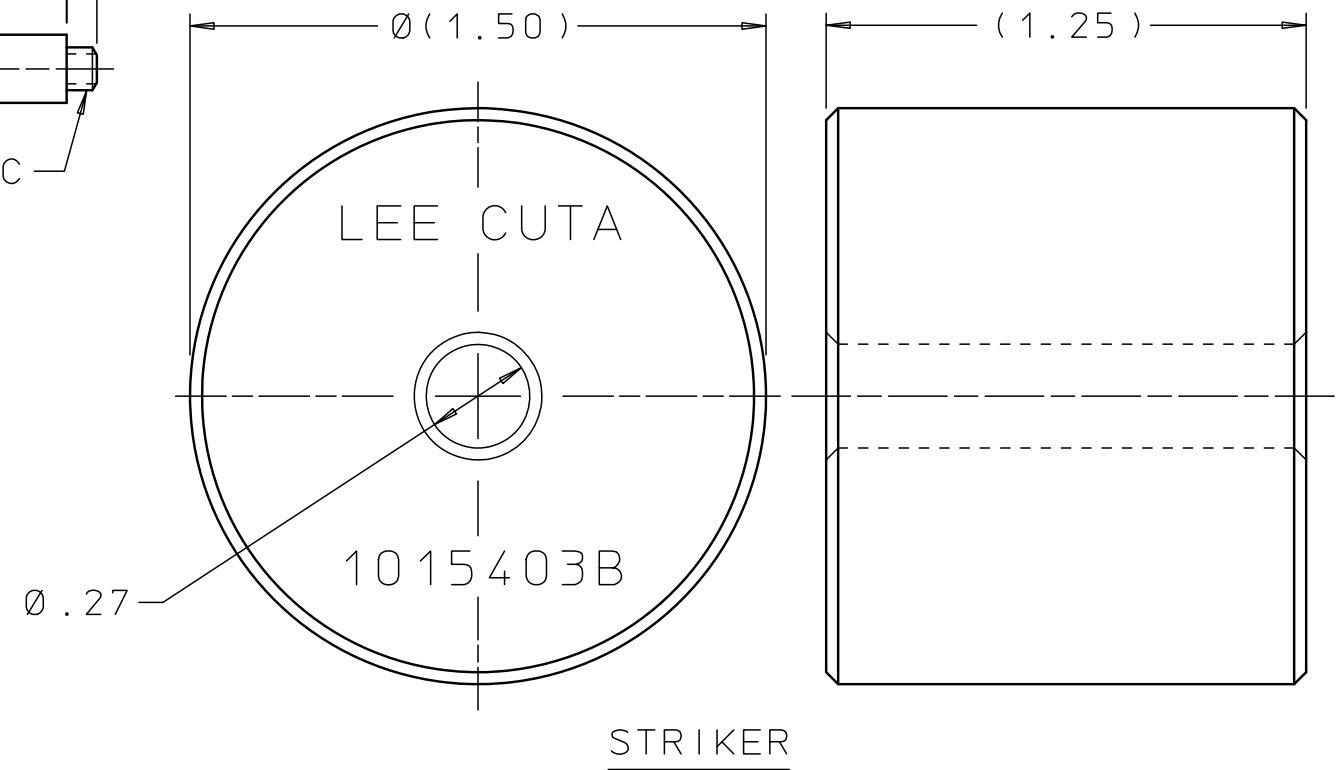
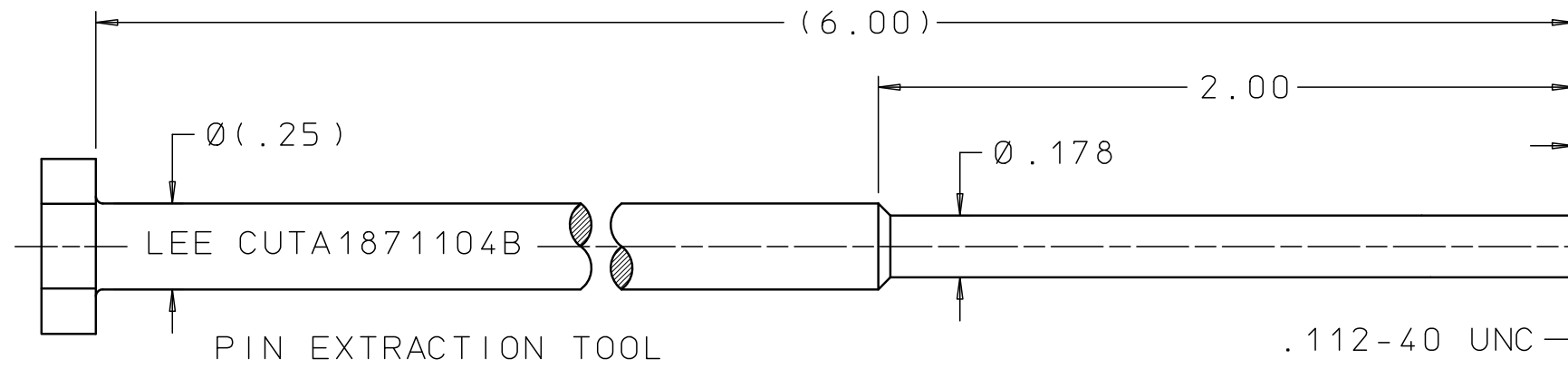
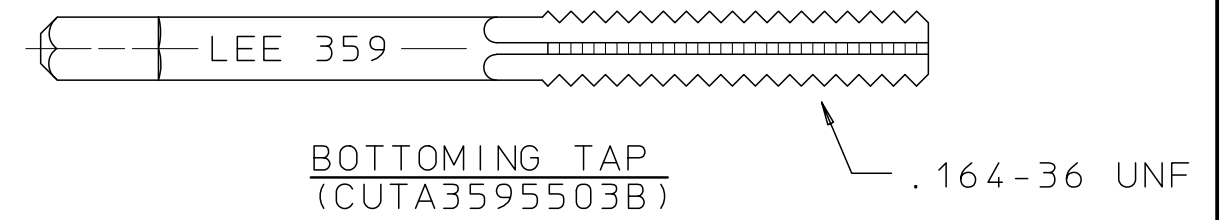
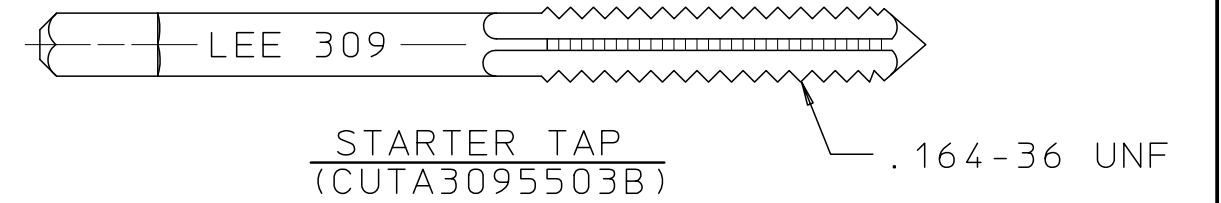
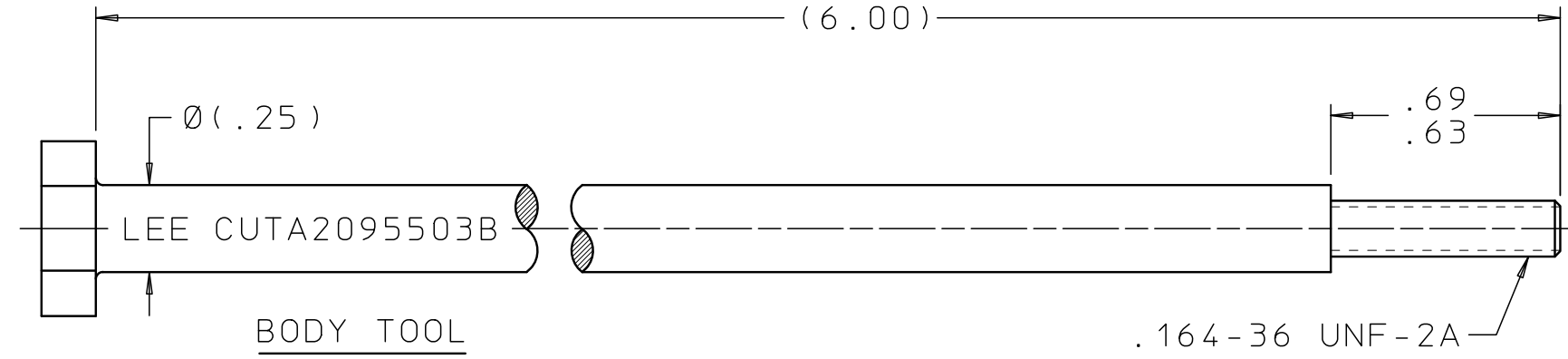


CUTA1870306C

REV	DATE	BY	DESCRIPTION
B3	05-13-10	KD	DELETED REV LETTERS FROM MARKINGS; BODY TOOL, PIN EXTR & PIN INSTALLATION TOOL.
C	01-10-13	KD	BODY TOOL & PIN EXT TOOL; REMOVED HEX ADDED 2 FLATS.



INSTALLATION AND EXTRACTION SET FOR: .187 LEE CHEK

PROPRIETARY ITEM

This document contains proprietary information and is submitted upon the express condition that the information contained herein will not be used directly or indirectly in any way detrimental to the interests of The Lee Company, and/or in violation of regulation DAR 7-104.9(a)(1 July 1974), et seq.

CUTD0101490
REFERENCE

DWG NO: CUTA1870306C	NOTES AND DIMENSIONS SHOWN HERE ON ARE FOR INSPECTION IDENTIFICATION ONLY. ALL MANUFACTURING RIGHTS RESERVED.	DRAWN BY: E D 03-17-86	LEE TOOL SET	
	EXTERNAL CORNER RAD: INTERNAL FILLET RAD:	CHK'D BY: J B 03-25-86	INSTALLATION AND EXTRACTION	
	SURFACE FINISH ✓ ALL OVER DIMENSIONS ARE IN INCHES	APP'D BY: RRH 06-22-86	THE LEE COMPANY WESTBROOK, CT 06498	
	TOLERANCES 2 PLACES ±.015 3 PLACES ±.005 ANGLES ±5°	MAT: H.T.: FINISH:	SIZE: B	CAGE CODE: 92555
				REV: C
		DWG SCALE: NONE		SHEET 1 OF 1