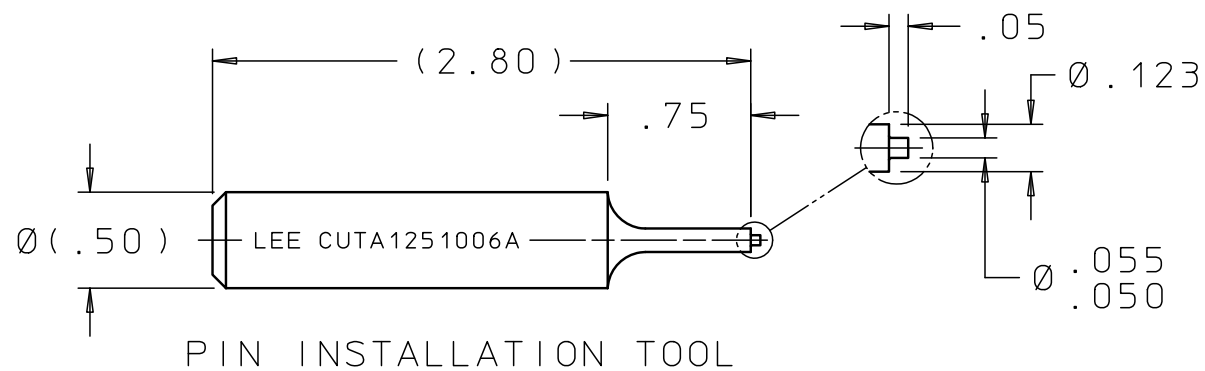
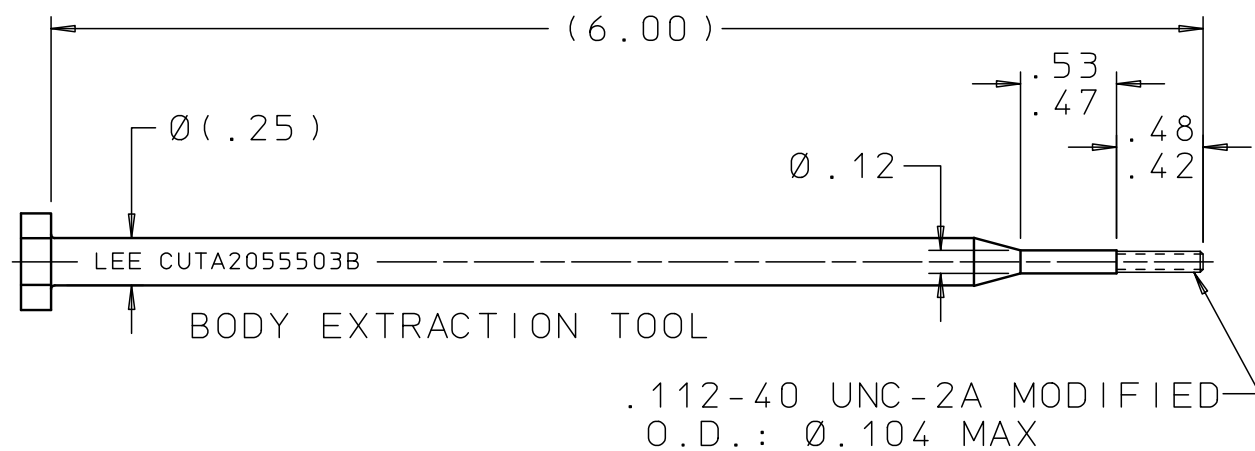
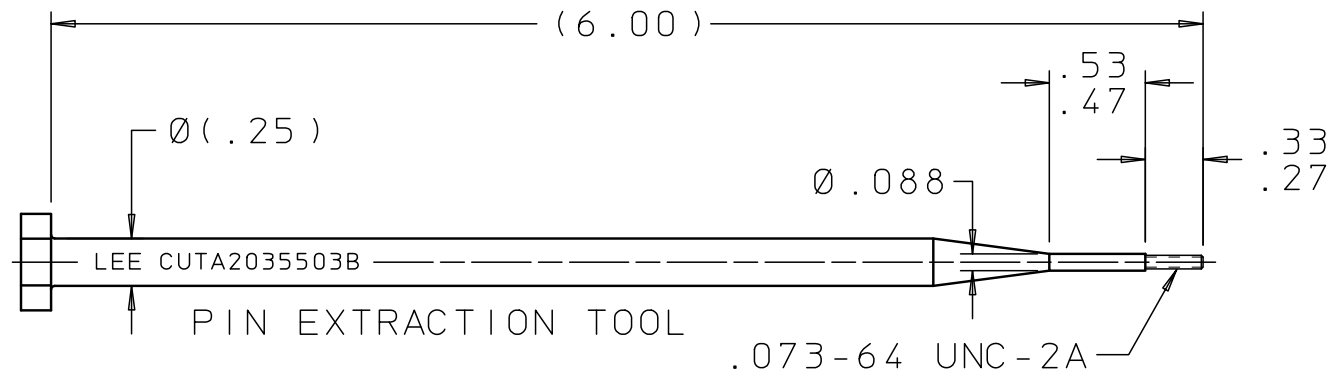
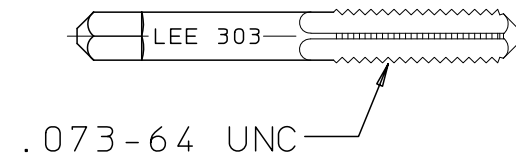


CUTA1250306C

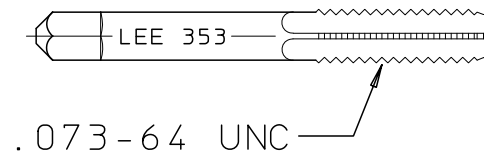
REV	DATE	BY	DESCRIPTION
B	11-13-12	KD	PIN EXT TOOL; REMOVED HEX, ADDED 2 FLATS. BODY EXT TOOL; REMOVED HEX, ADDED 2 FLATS & MODIFIED O.D.: Ø.104 MAX.



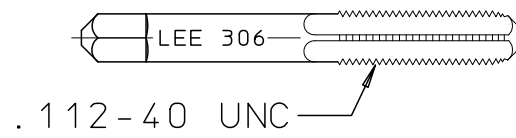
TAP DRILL  
(CUTA1251206B)



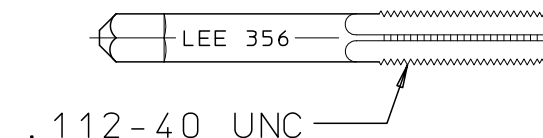
STARTER TAP  
PIN EXTRACTION  
(CUTA3035503B)



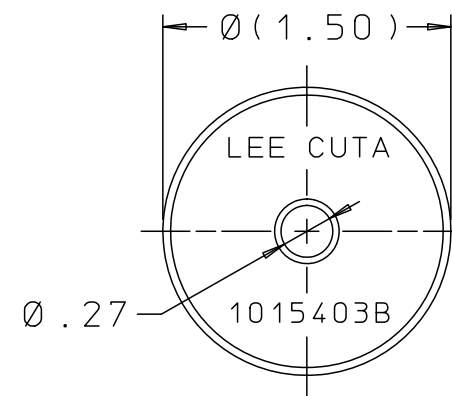
BOTTOMING TAP  
PIN EXTRACTION  
(CUTA3535503B)



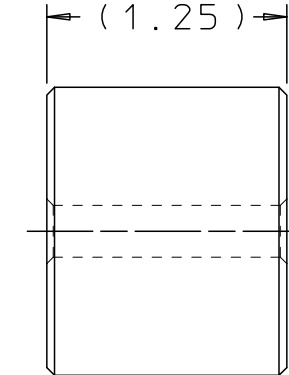
STARTER TAP  
BODY EXTRACTION  
(CUTA3064403B)



BOTTOMING TAP  
BODY EXTRACTION  
(CUTA3564403B)



STRIKER



PROPRIETARY ITEM

This document contains proprietary information and is submitted upon the express condition that the information contained herein will not be used directly or indirectly in any way detrimental to the interests of The Lee Company, and/or in violation of regulation DAR 7-104.9(a)(1 July 1974), et seq.

CUTD0406410  
REFERENCE

DWG NO: CUTA1250306C

NOTES AND DIMENSIONS SHOWN HERE ON ARE FOR INSPECTION IDENTIFICATION ONLY. ALL MANUFACTURING RIGHTS RESERVED.

EXTERNAL CORNER RAD:  
INTERNAL FILLET RAD:

SURFACE FINISH ✓ ALL OVER  
DIMENSIONS ARE IN INCHES

TOLERANCES  
2 PLACES ±.015 3 PLACES ±.005 ANGLES ±5°

DRAWN BY: GMR 08-09-90

CHK'D BY: P C 08-20-90

APPD BY: JCD 08-22-90

MAT:

H.T.:

FINISH:

LEE TOOL SET, INST/EXTR  
.125 HIGH PRESSURE CHEK



THE LEE COMPANY  
WESTBROOK, CT 06498

SIZE	CAGE CODE	DWG NO.	REV
B	92555	CUTA1250306C	B

DWG SCALE: NONE SHEET 1 OF 1