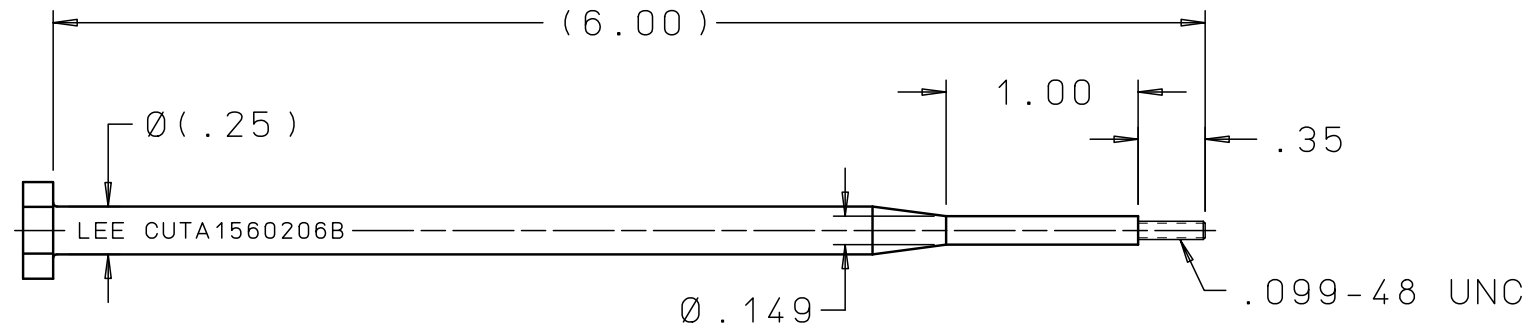
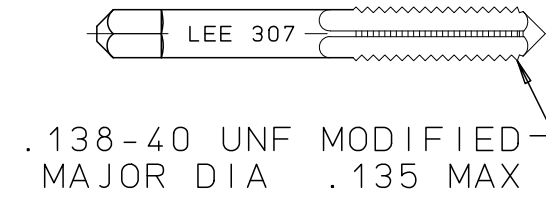


CUTA1560106C

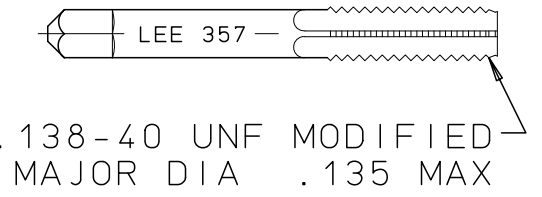
REV	DATE	BY	DESCRIPTION
A	07-02-03	HM	INITIAL RELEASE
B	08-06-03	HM	REDESIGNED TOOL SET.
C	07-23-10	KD	PIN & BODY EXTR TOOL REMOVED HEX. ADDED 2 FLATS. Ø.149 WAS Ø(.15).PIN INST TOOL REMOVED HEX. ADDED 2 FLATS. Ø(.50) WAS Ø.50. STRIKER: Ø(1.50) WAS Ø1.50 & (1.25) WAS 1.25.



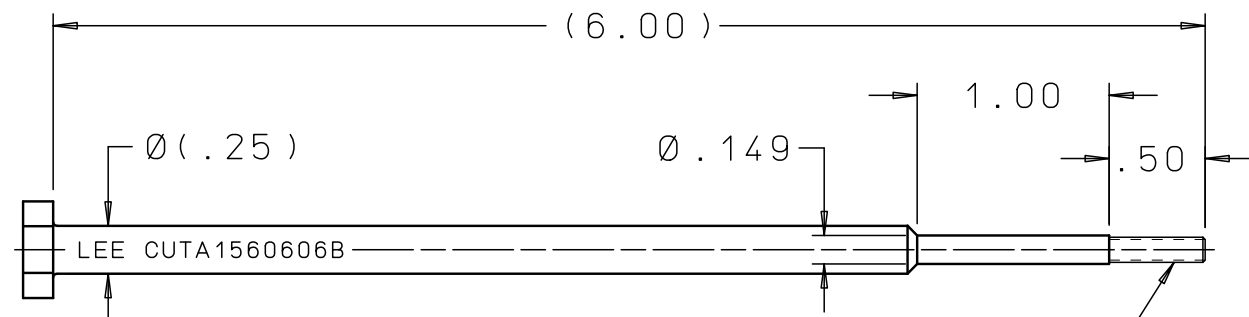
PIN EXTRACTION TOOL



STARTER TAP
PLUG EXTRACTION
(CUTA3075503B)



BOTTOMING TAP
PLUG EXTRACTION
(CUTA3575503B)



.138-40 UNF MODIFIED
MAJOR DIA. .132 MAX

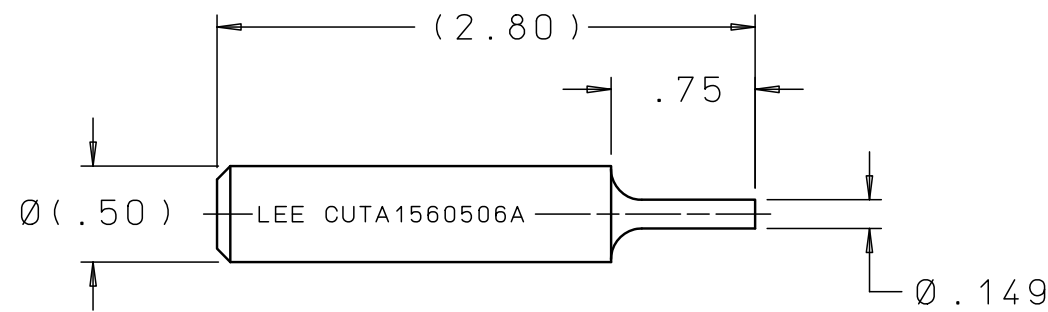
BODY EXTRACTION TOOL



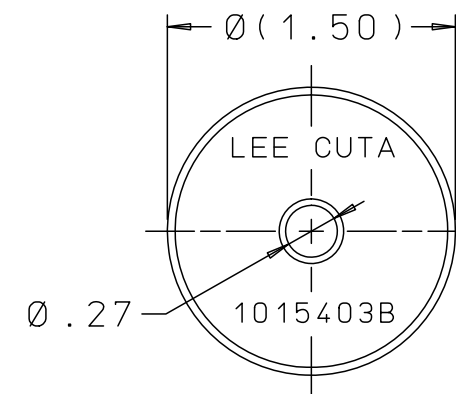
STARTER TAP
PIN EXTRACTION
(CUTA1560306B)



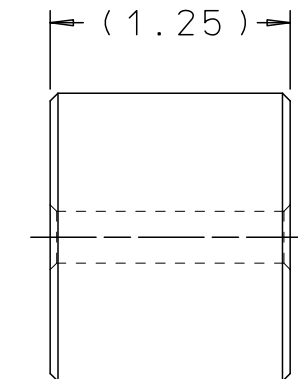
BOTTOMING TAP
PIN EXTRACTION
(CUTA1560406B)



PIN INSTALLATION TOOL



STRIKER



PROPRIETARY ITEM

This document contains proprietary information and is submitted upon the express condition that the information contained herein will not be used directly or indirectly in any way detrimental to the interests of The Lee Company, and/or in violation of regulation DAR 7-104.9(a)(1 July 1974). et seq.

CUTD1560106
REFERENCE

DWG NO: CUTA1560106C

NOTES AND DIMENSIONS SHOWN HERE ON ARE FOR INSPECTION IDENTIFICATION ONLY. ALL MANUFACTURING RIGHTS RESERVED.

EXTERNAL CORNER RAD:
INTERNAL FILLET RAD:

SURFACE FINISH ✓ ALL OVER
DIMENSIONS ARE IN INCHES

TOLERANCES
2 PLACES ±.015 3 PLACES ±.005 ANGLES ±5°

DRAWN BY: H M 07-02-03

CHK'D BY: L B 07-09-03

APPD BY: B B 07-11-03

MAT:

H.T.:

FINISH:

LEE TOOL SET, INSTALLATION AND EXTRACTION, .156 CHEK



THE LEE COMPANY
WESTBROOK, CT 06498

SIZE	CAGE CODE	DWG NO.	REV
B	92555	CUTA1560106C	C

DWG SCALE: NONE SHEET 1 OF 1