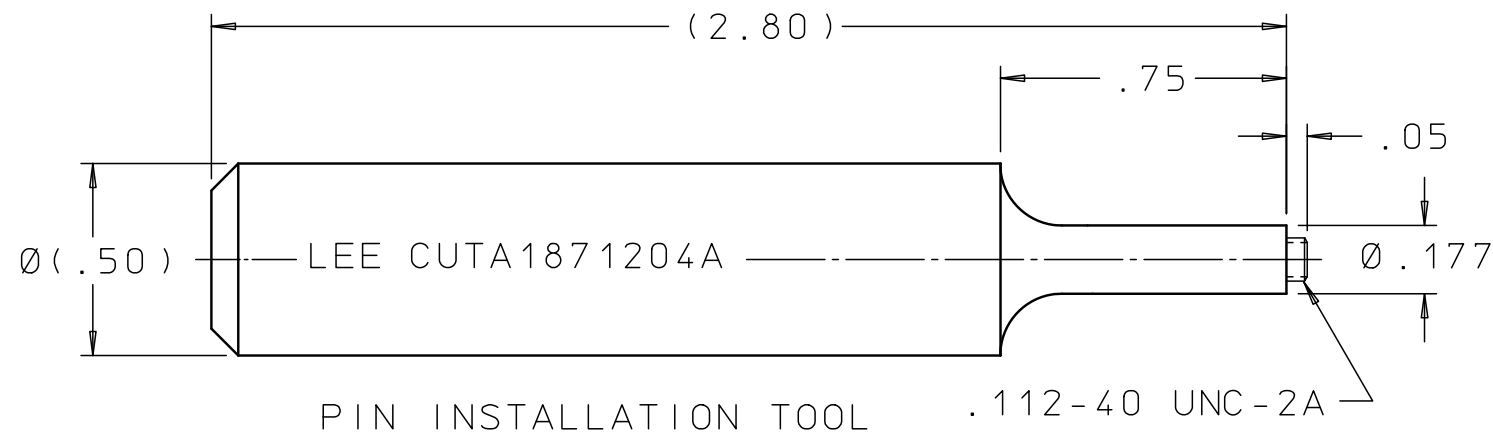
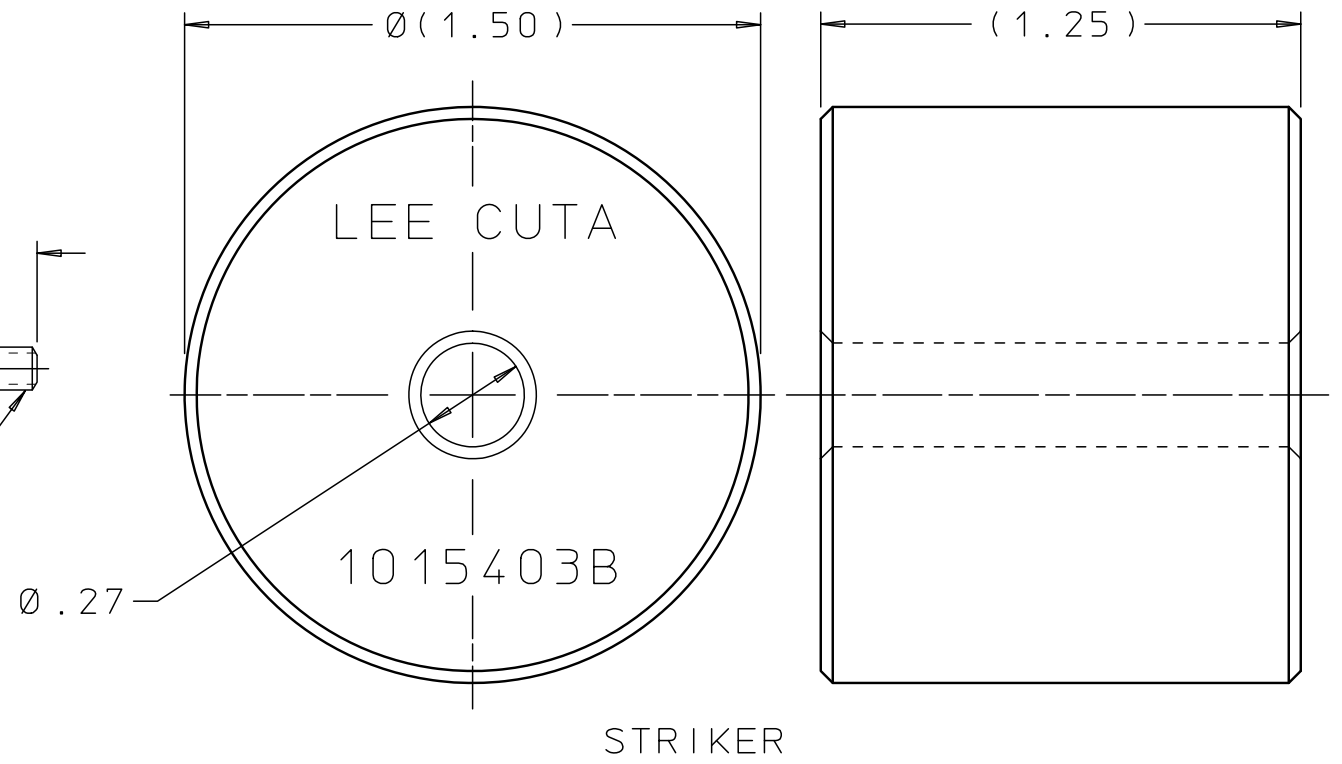
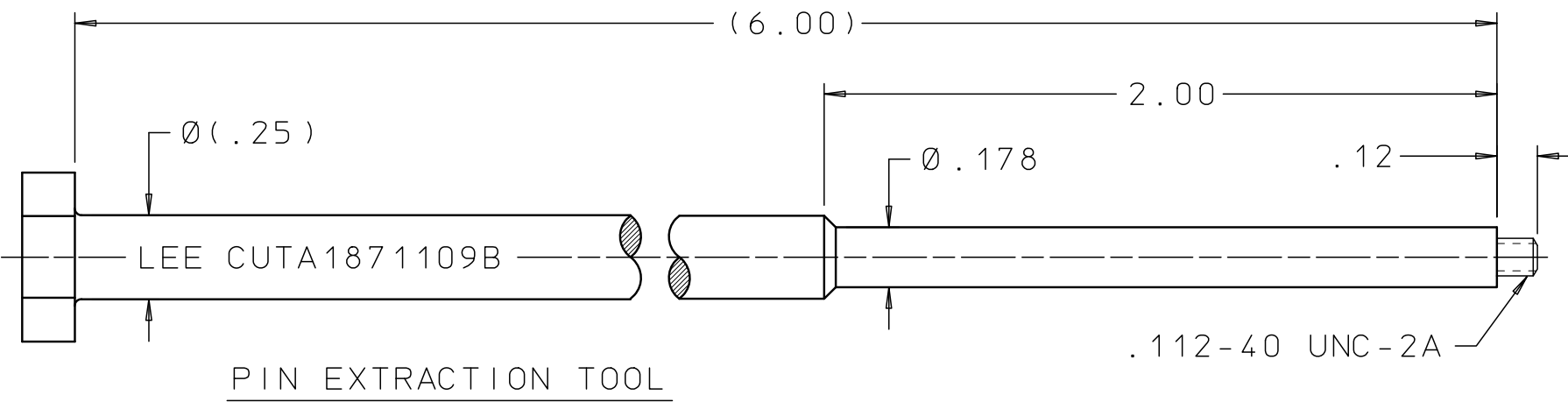
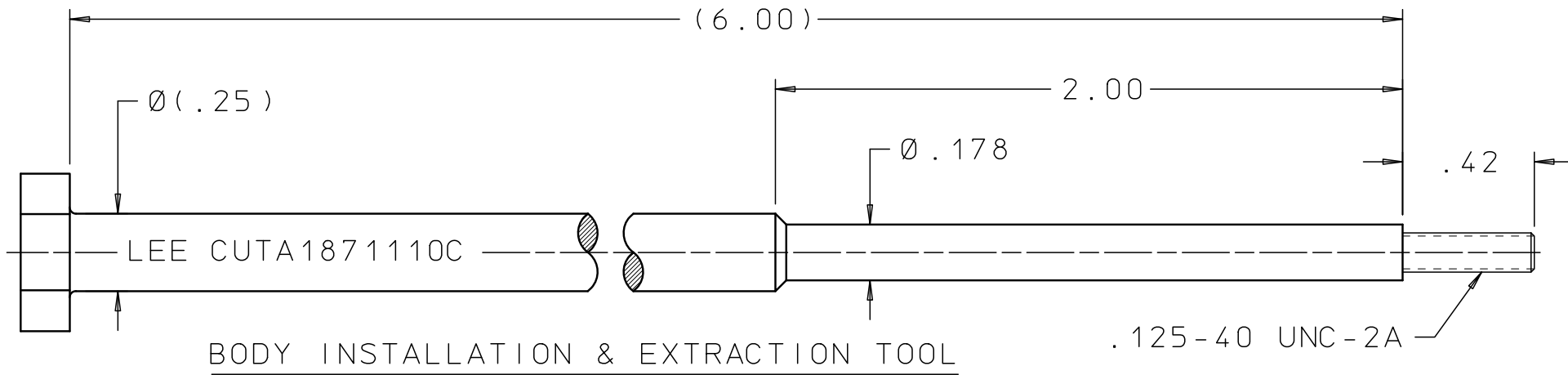


CUTA1870210C

REV	DATE	BY	DESCRIPTION
C2	06-28-04	KD	REMOVED REV LETTERS FROM MARKINGS.
3	07-14-10	KD	BODY TOOL: UPDATED HEX. ADDED $\emptyset(.25)$. PIN EXTRACT TOOL: UPDATED HEX, ADDED $\emptyset(.25)$. PIN INSTAL TOOL: $\emptyset(.50)$ WAS $\emptyset.50$, (2.80) WAS 2.80. STRIKER: (1.25) WAS 1.25 & $\emptyset(1.50)$ WAS $\emptyset 1.49$.
D	04-24-13	KD	BODY INSTAL & EXTR TOOL AND PIN EXTR TOOL; REMOVED HEX & ADDED 2 FLATS.



INSTALLATION AND EXTRACTION SET FOR:
 .187-.197 LEE HIGH PRESSURE HI-WATT JET.
 .187-.197 LEE HIGH PRESSURE CHEK.
 .187-.197 LEE HIGH PRESSURE TRI

PROPRIETARY ITEM

This document contains proprietary information and is submitted upon the express condition that the information contained herein will not be used directly or indirectly in any way detrimental to the interests of The Lee Company, and/or in violation of regulation DAR 7-104.9(a)(1 July 1974). et seq.

CUTD0101470
REFERENCE

DWG NO: CUTA1870210C	NOTES AND DIMENSIONS SHOWN HERE ON ARE FOR INSPECTION IDENTIFICATION ONLY. ALL MANUFACTURING RIGHTS RESERVED.	DRAWN BY: S B 02-26-86	LEE TOOL SET INSTALLATION AND EXTRACTION		
	EXTERNAL CORNER RAD: INTERNAL FILLET RAD:	CHK'D BY: B M 02-28-86	THE LEE COMPANY WESTBROOK, CT 06498		
	SURFACE FINISH \checkmark ALL OVER DIMENSIONS ARE IN INCHES	APPD BY: SEA 03-04-86	SIZE: B	CAGE CODE: 92555	DWG NO.: CUTA1870210C
	TOLERANCES 2 PLACES $\pm .015$ 3 PLACES $\pm .005$ ANGLES $\pm 5^\circ$	MAT: H.T.: FINISH:	DWG SCALE: NONE		REV: D
		SHEET 1 OF 1			