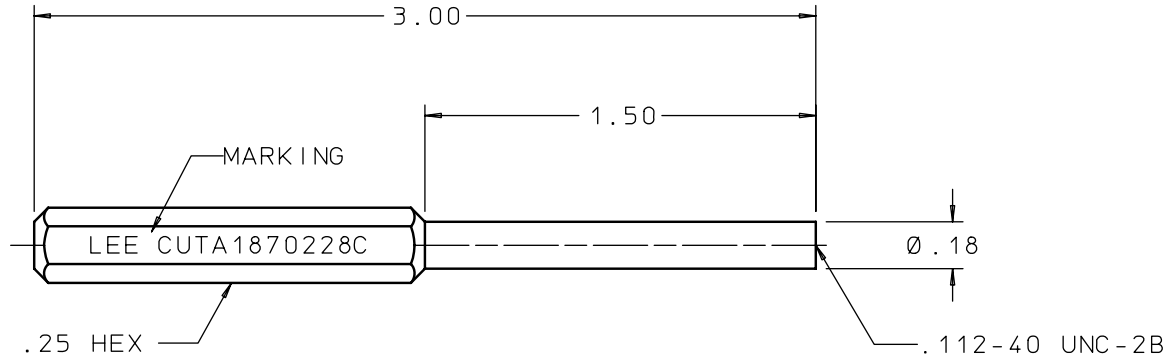


CUTA1870228C


REV	DATE	BY	DESCRIPTION
A	1-9-85	ED	INITIAL RELEASE
B	9-16-88	EJ	REDRAWN TO CAD WAS A WORD DWG.



PROPRIETARY ITEM

This document contains proprietary information and is submitted upon the express condition that the information contained herein will not be used directly or indirectly in any way detrimental to the interests of The Lee Company, and/or in violation of regulation DAR 7-104.9(a)(1 July 1974), et seq.

CUTD0101480B
REFERENCE

DWG NO: CUTA1870228C	NOTES AND DIMENSIONS SHOWN HERE ON ARE FOR INSPECTION IDENTIFICATION ONLY. ALL MANUFACTURING RIGHTS RESERVED.	DRAWN BY: E D 4-9-85	LEE INSTALLATION & EXTRACTION TOOL - SCREEN	
	EXTERNAL CORNER RAD: INTERNAL FILLET RAD:	CHK'D BY: PDK 4-10-85	 THE LEE COMPANY WESTBROOK, CT 06498	
	SURFACE FINISH ✓ ALL OVER DIMENSIONS ARE IN INCHES	APP'D BY: G L 4-10-85		
	TOLERANCES 2 PLACES ±.015 3 PLACES ±.005 ANGLES ±5°	MAT: H.T.: FINISH:	SIZE B	CAGE CODE 92555
		DWG SCALE: NONE		REV B
				SHEET 1 OF 1