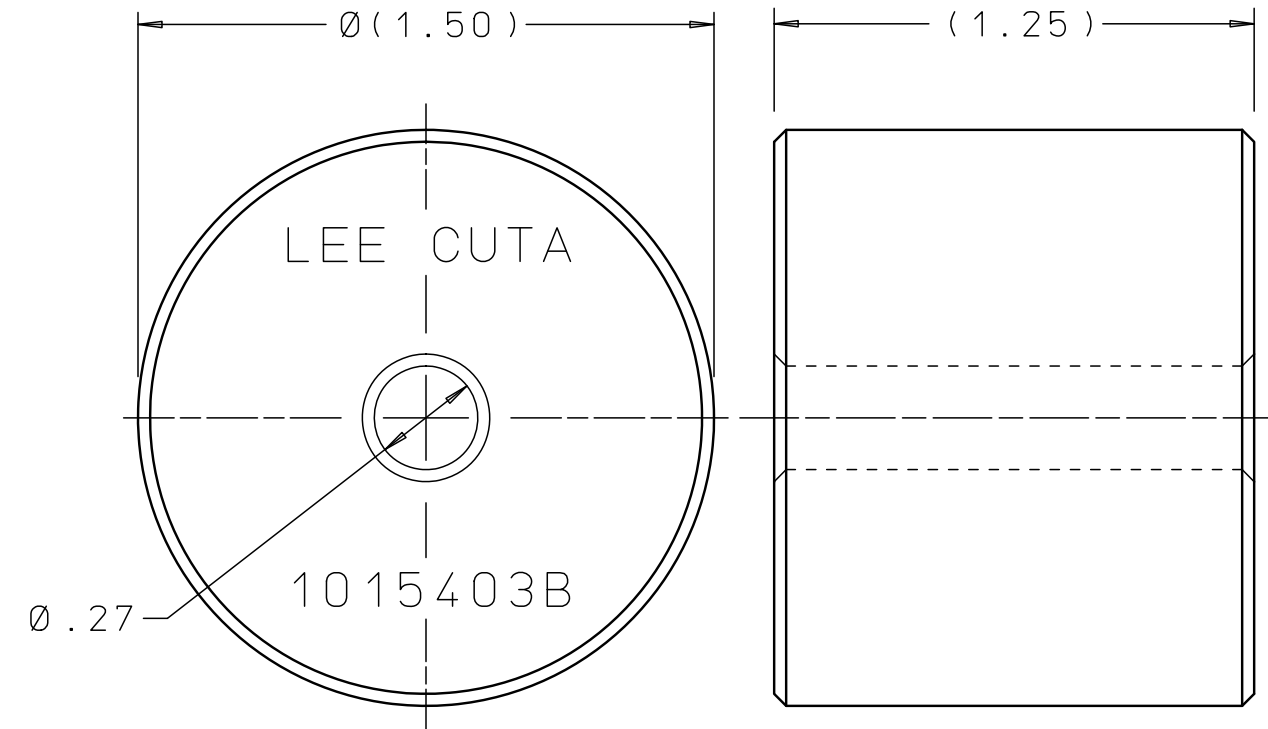
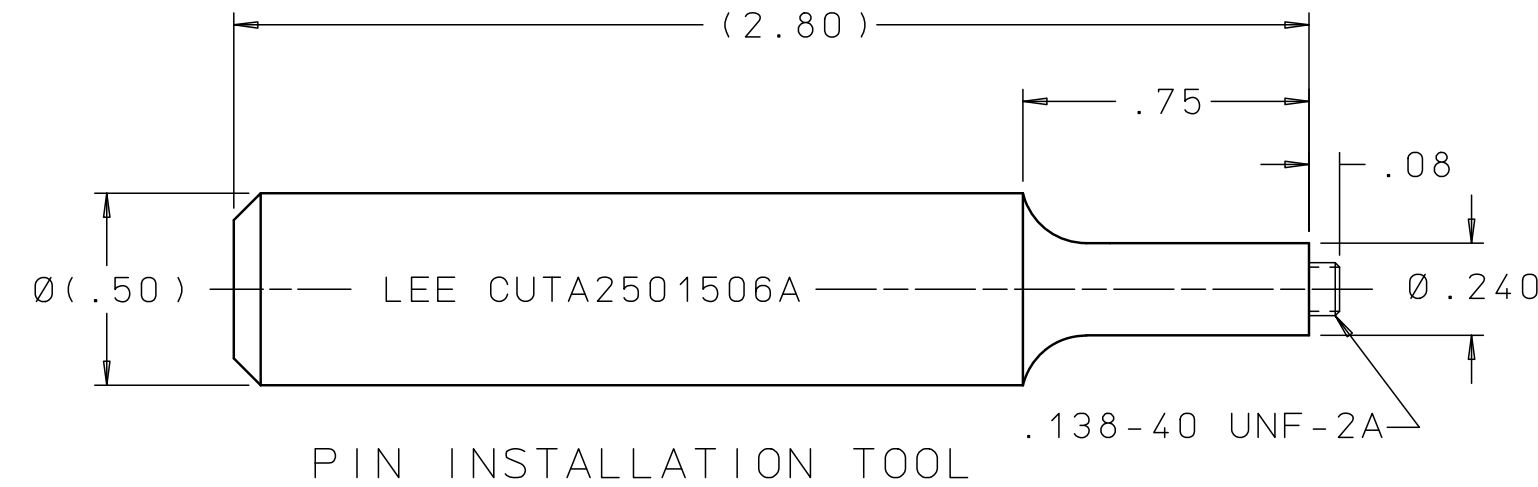
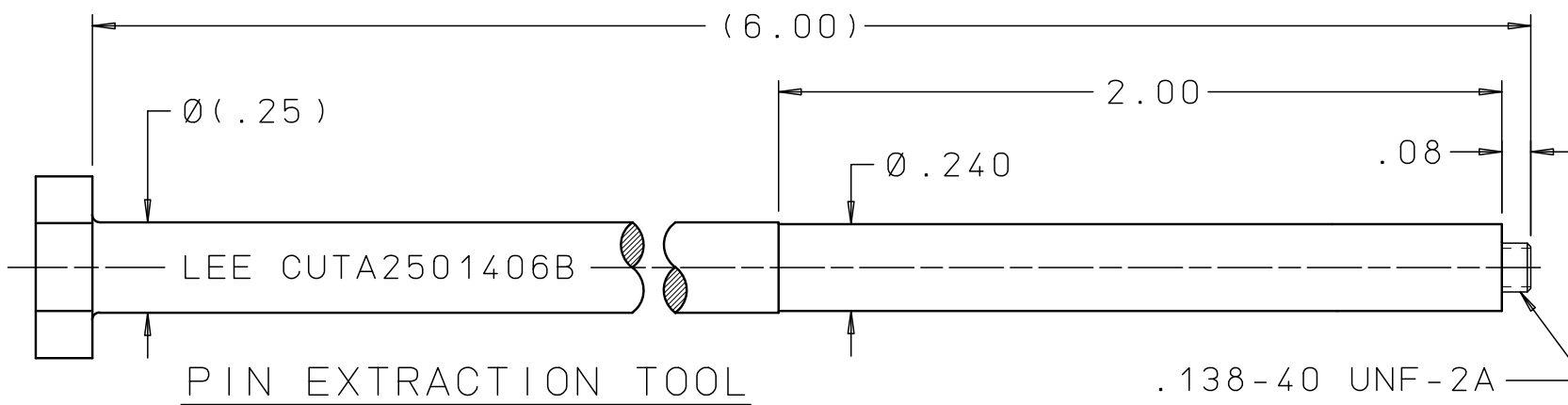
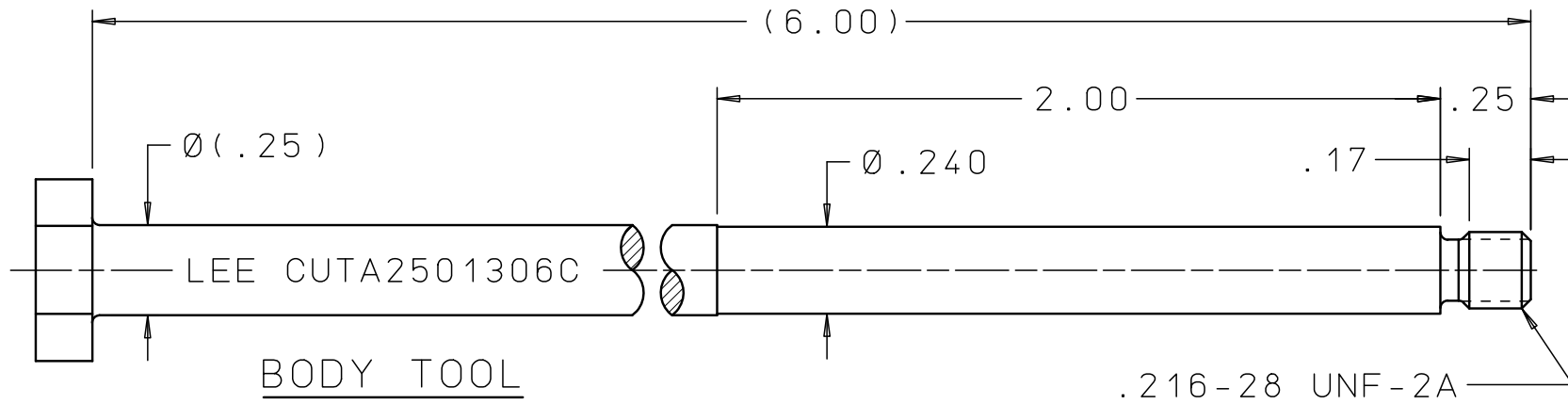


CUTA2500106C

REV	DATE	BY	DESCRIPTION
K2	05-05-10	KD	DELETED REV LETTERS FROM MARKINGS; BODY TOOL, PIN EXTRACTION TOOL, PIN INSTALLATION TOOL & STRIKER.
L	03-14-12	KD	BODY TOOL & PIN EXTR TOOL; REMOVED HEX, ADDED 2 FLATS.



INSTALLATION AND EXTRACTION SET FOR:

.250-.260 LEE CHEKS
.250-.260 LEE AXIAL VISCO JETS

PROPRIETARY ITEM

This document contains proprietary information and is submitted upon the express condition that the information contained herein will not be used directly or indirectly in any way detrimental to the interests of The Lee Company, and/or in violation of regulation DAR 7-104.9(a)(1 July 1974). et seq.

CUTD0101150
REFERENCE

DWG NO: CUTA2500106C	NOTES AND DIMENSIONS SHOWN HERE ON ARE FOR INSPECTION IDENTIFICATION ONLY. ALL MANUFACTURING RIGHTS RESERVED.		DRAWN BY: GUY 10-18-62		LEE TOOL SET INSTALLATION AND EXTRACTION	
	EXTERNAL CORNER RAD: INTERNAL FILLET RAD:		CHK'D BY: J B 04-09-84			
	SURFACE FINISH ✓ ALL OVER DIMENSIONS ARE IN INCHES		APP'D BY: G L		THE LEE COMPANY WESTBROOK, CT 06498	
	TOLERANCES 2 PLACES ±.015 3 PLACES ±.005 ANGLES ±5°		MAT:			
FINISH:		H.T.:		SIZE: B	CAGE CODE: 92555	DWG NO.: CUTA2500106C
DWG SCALE: NONE				SHEET 1 OF 1		