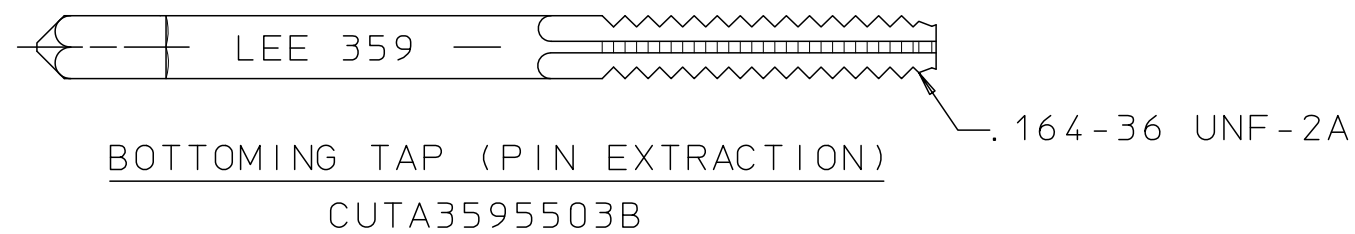
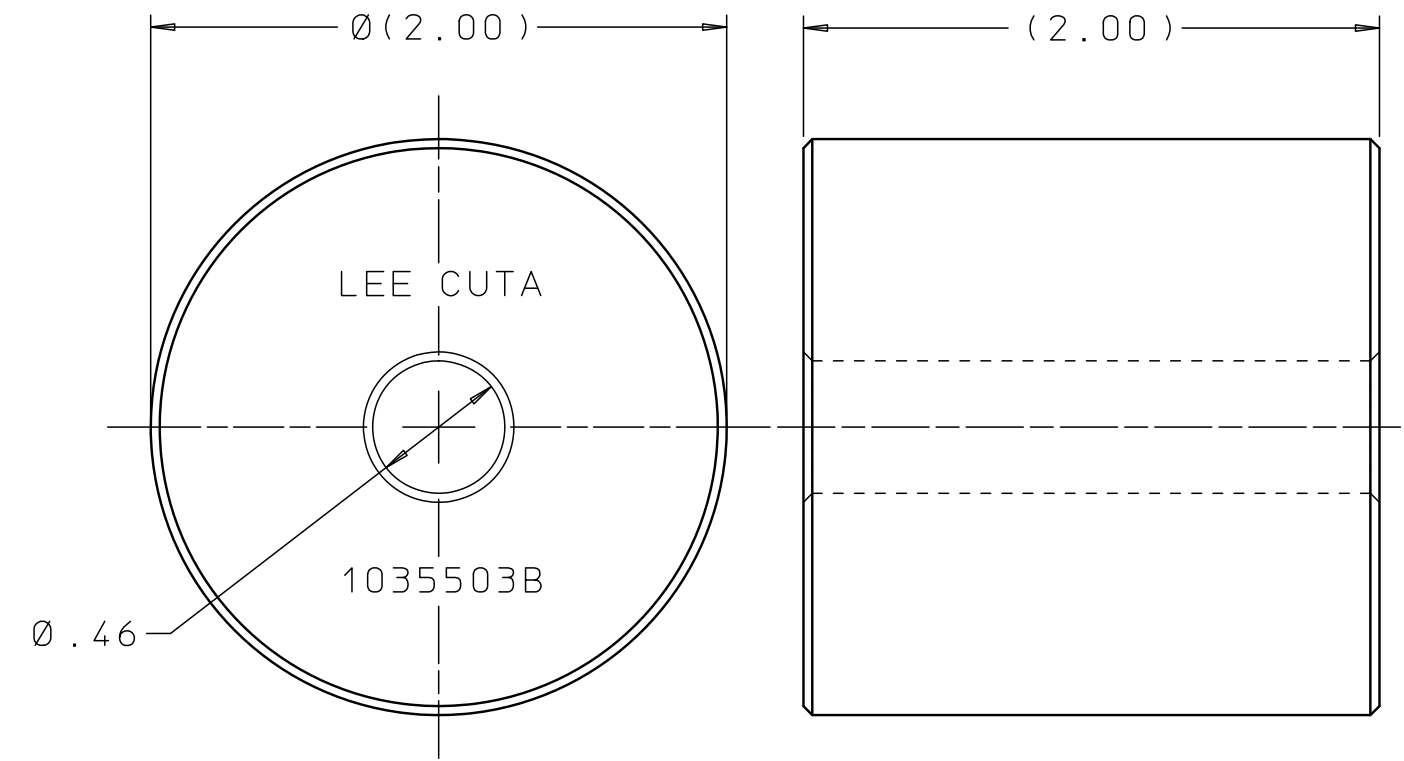
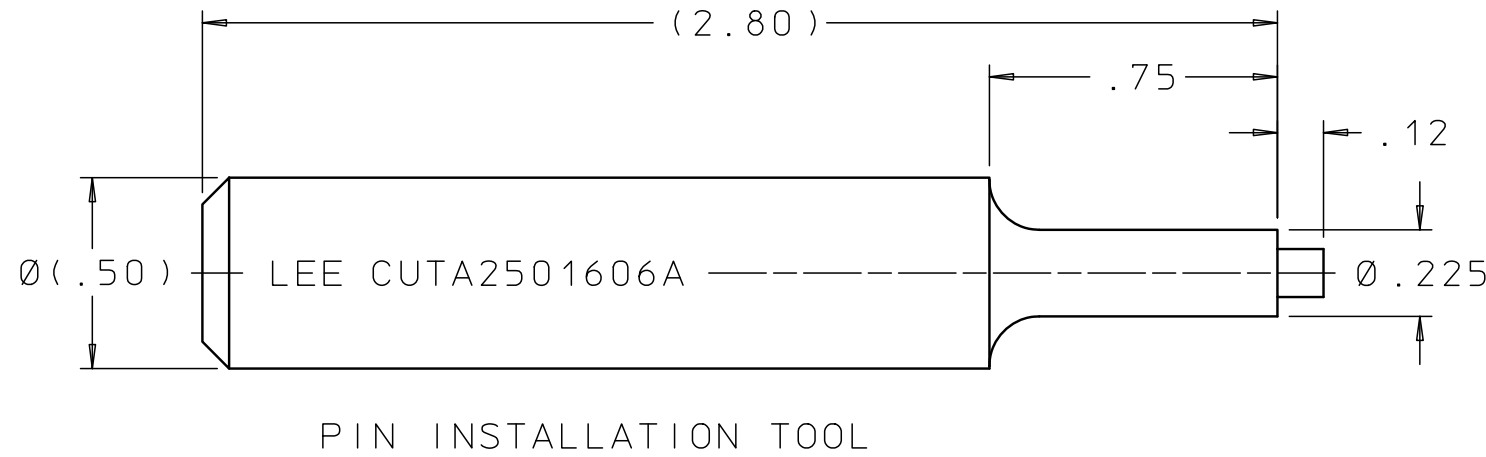
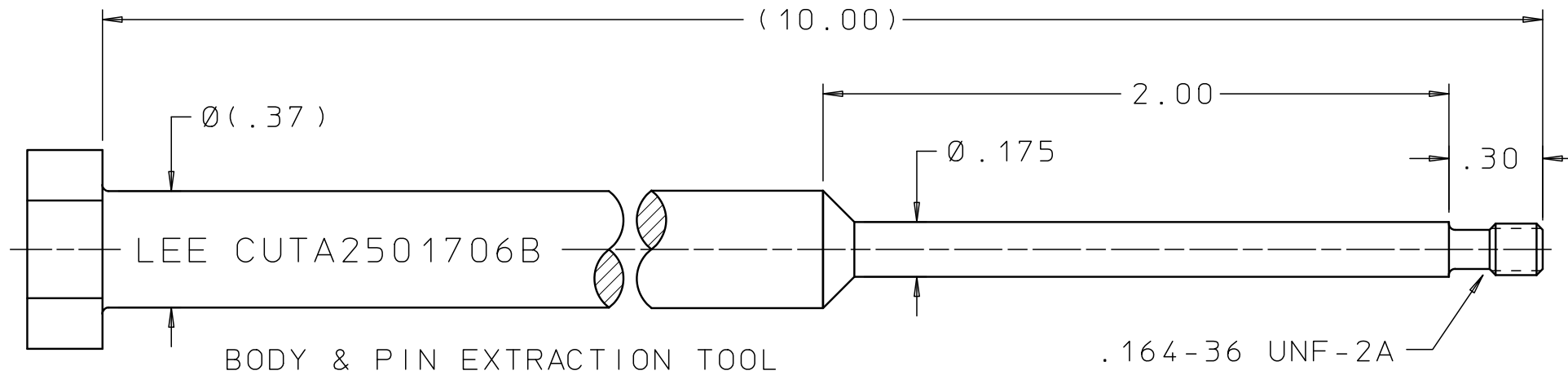


CUTA2500406C

REV	DATE	BY	DESCRIPTION
A	02-07-90	GMR	INITIAL RELEASE
B	05-01-90	GMR	BODY/PIN EXTRACTION TOOL: Ø .175 WAS Ø .240
2	05-04-00	HM	REDRAWN NEW FORMAT REMOVED REV LETTERS FROM MARKINGS.
3	07-28-10	KD	BODY/PIN EXTR TOOL: UPDATED HEX & ADDED Ø (.37). PIN INST TOOL: ADDED .12. (2.80) WAS 2.80. Ø (.50) WAS Ø .50. STRIKER: Ø (2.00) WAS Ø 2.00
C	06-11-13	KD	BODY & PIN EXTRAC TOOL, REMOVED HEX, ADDED 2 FLATS.



TOOL SET FOR INSTALLATION AND EXTRACTION OF:  
LEE .250-.260 HIGH STRENGTH CHEKS

**PROPRIETARY ITEM**  
This document contains proprietary information and is submitted upon the express condition that the information contained herein will not be used directly or indirectly in any way detrimental to the interests of The Lee Company, and/or in violation of regulation DAR 7-104.9(a)(1 July 1974), et seq.

CUTD0101570  
REFERENCE

DWG NO: CUTA2500406C	NOTES AND DIMENSIONS SHOWN HERE ON ARE FOR INSPECTION IDENTIFICATION ONLY. ALL MANUFACTURING RIGHTS RESERVED.	DRAWN BY: GMR	02-07-90	LEE TOOL SET INSTALLATION/EXTRACTION	
	EXTERNAL CORNER RAD: INTERNAL FILLET RAD:	CHK'D BY: P C	02-16-90	THE LEE COMPANY WESTBROOK, CT 06498	
	SURFACE FINISH ✓ ALL OVER DIMENSIONS ARE IN INCHES	APP'D BY: JCD	02-19-90	SIZE: B	CAGE CODE: 92555
	TOLERANCES 2 PLACES ±.015 3 PLACES ±.005 ANGLES ±5°	MAT:	H.T.:	DWG NO.: CUTA2500406C	REV: C
		FINISH:	DWG SCALE: NONE		SHEET 1 OF 1