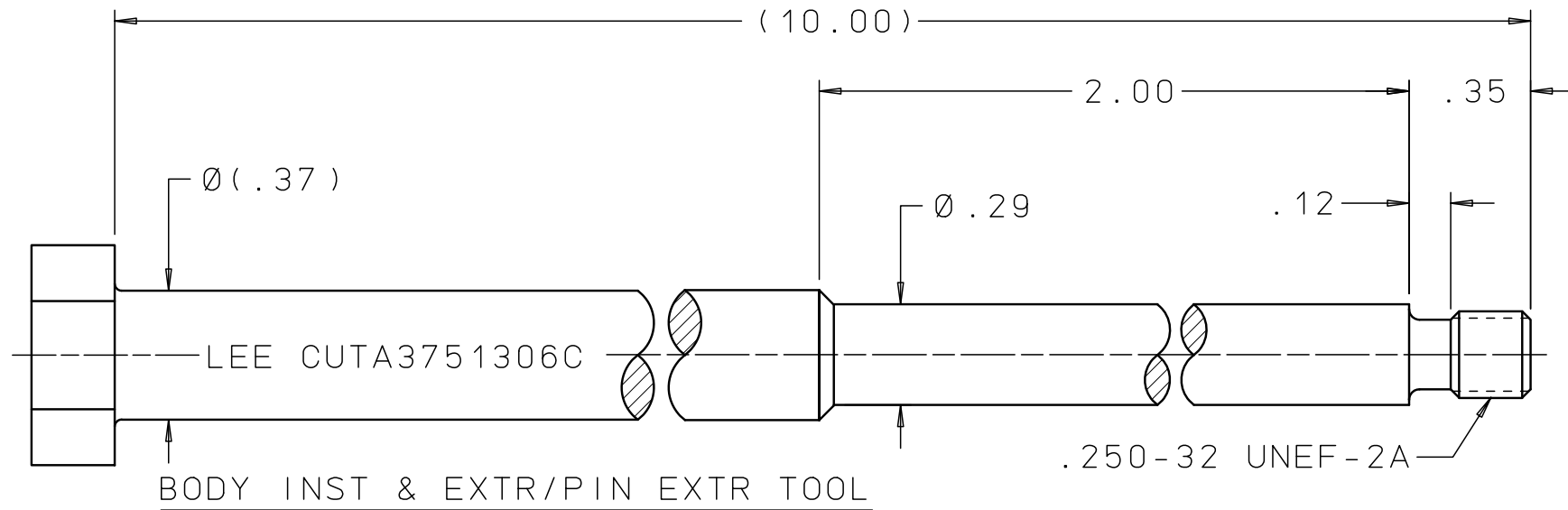
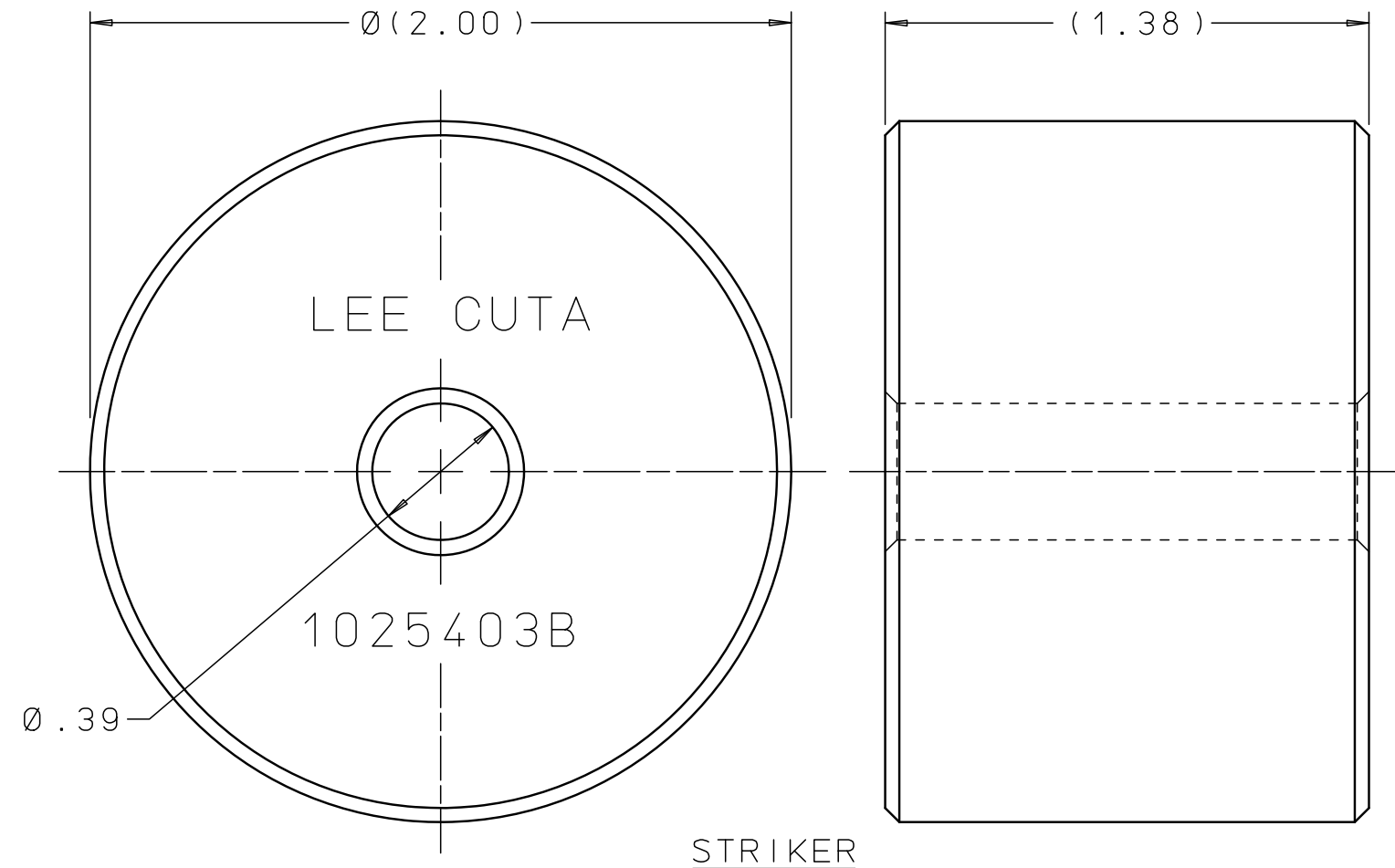
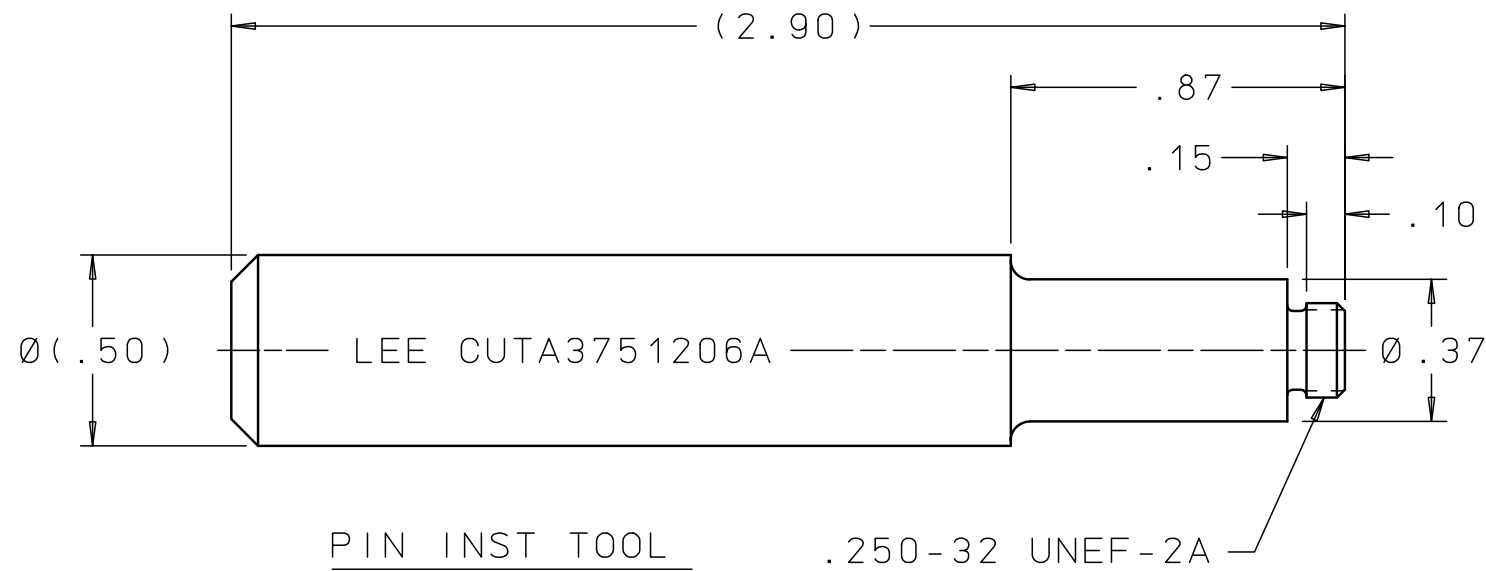


CUTA3750306C

REV	DATE	BY	DESCRIPTION
A	01-08-90	GMR	INITIAL RELEASE
2	05-26-10	KD	DELETED REV LETTERS FROM MARKINGS.
B	02-20-12	KD	BODY INST & EXTR / PIN EXTR TOOL; REMOVED HEX. ADDED 2 FLATS.



INSTALLATION AND EXTRACTION SET FOR:
 .375-.385 LEE HIGH PRESSURE FLOW CONTROL
 .375-.385 LEE HIGH PRESSURE CHEK



PROPRIETARY ITEM

This document contains proprietary information and is submitted upon the express condition that the information contained herein will not be used directly or indirectly in any way detrimental to the interests of The Lee Company, and/or in violation of regulation DAR 7-104.9(a)(1 July 1974), et seq.

CUTD0101720
 REFERENCE

DWG NO: CUTA3750306C	NOTES AND DIMENSIONS SHOWN HERE ON ARE FOR INSPECTION IDENTIFICATION ONLY. ALL MANUFACTURING RIGHTS RESERVED.		DRAWN BY: GMR	01-08-90	LEE TOOL SET .375 HIGH PRESSURE CHEK	
			CHK'D BY: P C	01-12-90		
	EXTERNAL CORNER RAD: INTERNAL FILLET RAD:		APP'D BY: JCD	01-15-90	THE LEE COMPANY WESTBROOK, CT 06498	
	SURFACE FINISH ✓ ALL OVER DIMENSIONS ARE IN INCHES		MAT:			
	TOLERANCES 2 PLACES ±.015 3 PLACES ±.005 ANGLES ±5°	H.T.:		SIZE: B	CAGE CODE: 92555	DWG NO.: CUTA3750306C
		FINISH:		DWG SCALE: NONE		REV: B
						SHEET 1 OF 1