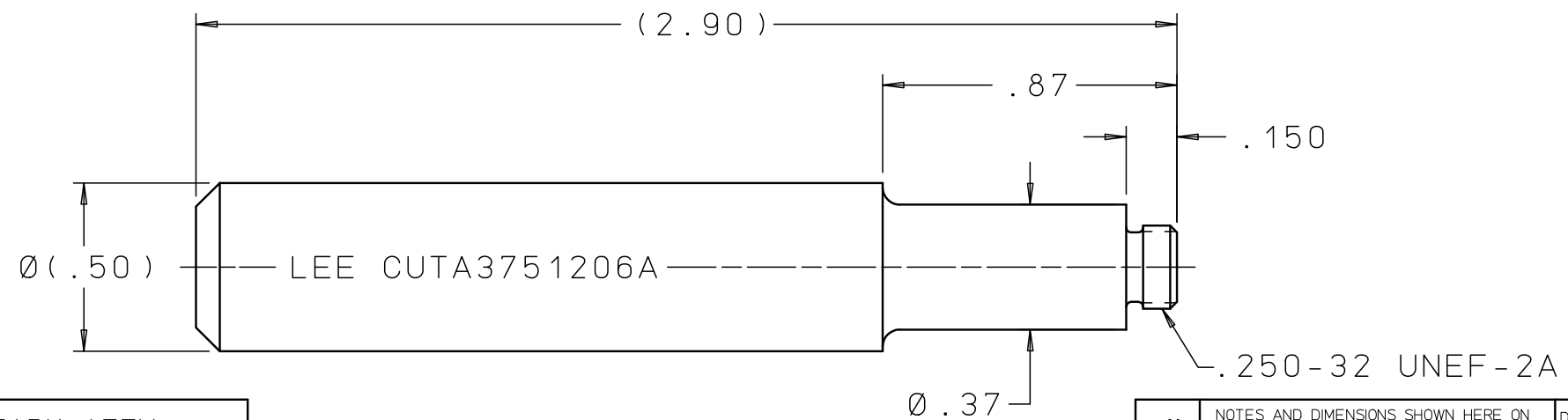
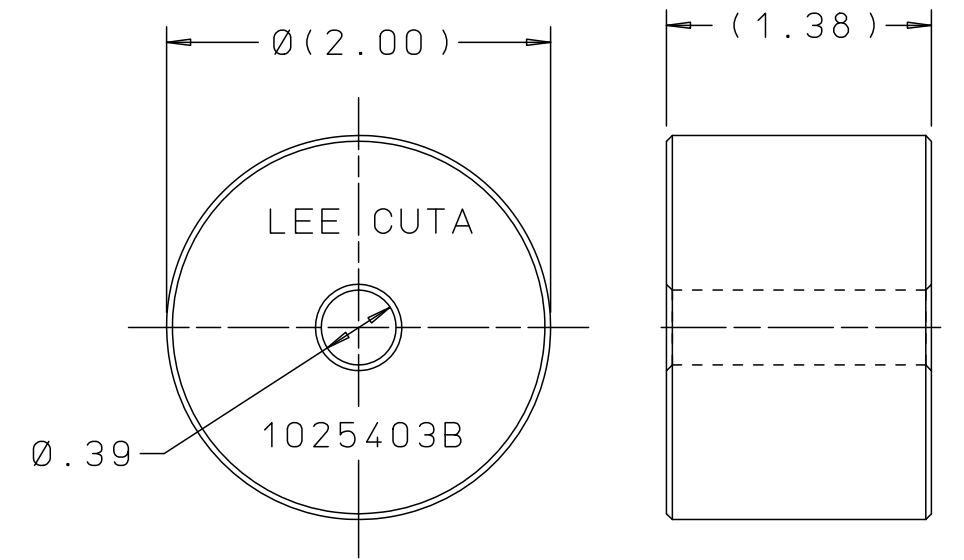
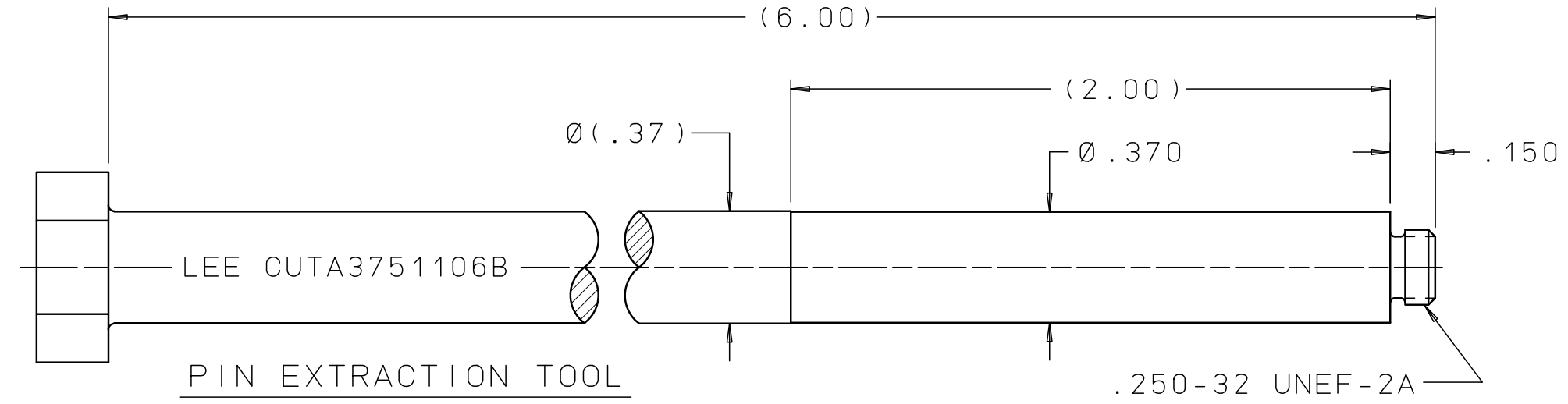
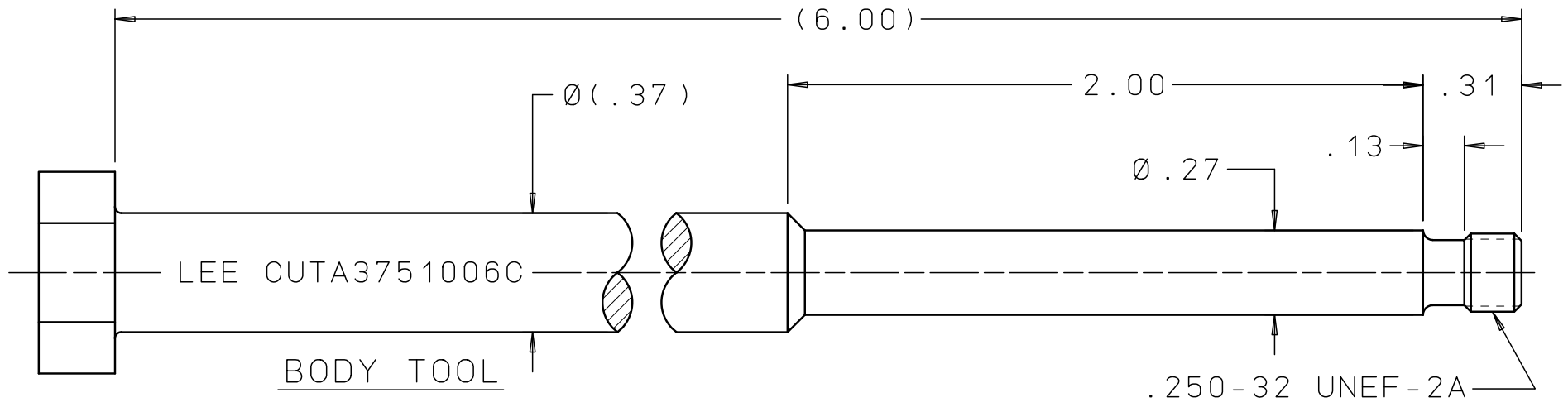


CUTA3750106C

REV	DATE	BY	DESCRIPTION
K5	05-14-10	KD	UPDATED DIMENSIONS; BODY TOOL, ADDED 2.00 .31, .13 & Ø(.37) WAS Ø.37. PIN EXTRACTION ADDED Ø(.375), (2.00) & .150. PIN INSTALLATION, ADDED .150 & .87, (2.80) WAS 2.80 & Ø(.50) WAS Ø.50. STRIKER, Ø(2.00) WAS Ø2.00 & (1.38) WAS 1.38
L	03-14-12	KD	BODY TOOL & PIN EXTR TOOL; REMOVED HEX, ADDED 2 FLATS. PIN EXTR TOOL, Ø.370 WAS Ø.37.



INSTALLATION AND EXTRACTION SET FOR:

- .375 LEE FLOW CONTROL
- .375 LEE LO-LOHM CHEK
- .375 LEE PRI (FORWARD)

PIN INSTALLATION TOOL

PROPRIETARY ITEM
 This document contains proprietary information and is submitted upon the express condition that the information contained herein will not be used directly or indirectly in any way detrimental to the interests of The Lee Company, and/or in violation of regulation DAR 7-104.9(a)(1 July 1974). et seq.

CUTD0101300
 REFERENCE

DWG NO: CUTA3750106C	NOTES AND DIMENSIONS SHOWN HERE ON ARE FOR INSPECTION IDENTIFICATION ONLY. ALL MANUFACTURING RIGHTS RESERVED.		DRAWN BY: E D 12-03-73	LEE TOOL SET INSTALLATION AND EXTRACTION .375 CHEK		
	EXTERNAL CORNER RAD: INTERNAL FILLET RAD:		CHK'D BY: E B 12-17-73	THE LEE COMPANY WESTBROOK, CT 06498		
	SURFACE FINISH ✓ ALL OVER DIMENSIONS ARE IN INCHES		APP'D BY: G L 01-04-74	SIZE: B	CAGE CODE: 92555	DWG NO.: CUTA3750106C
	TOLERANCES 2 PLACES ±.015 3 PLACES ±.005 ANGLES ±5°		MAT:	H.T.:	FINISH:	DWG SCALE: NONE SHEET 1 OF 1