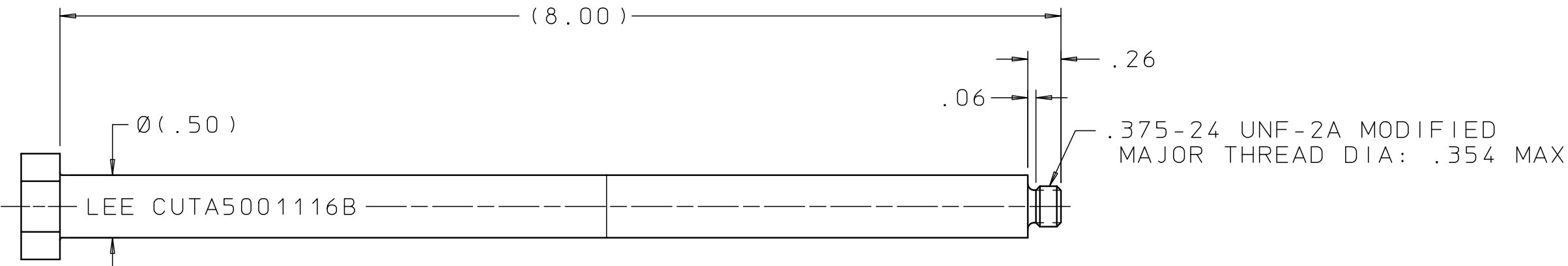
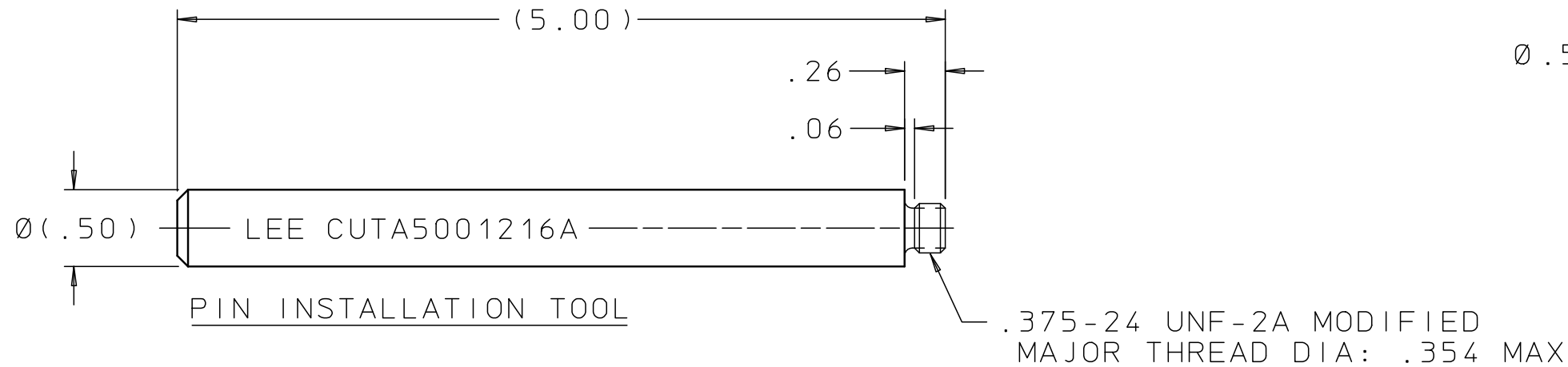


CUTA5000306C

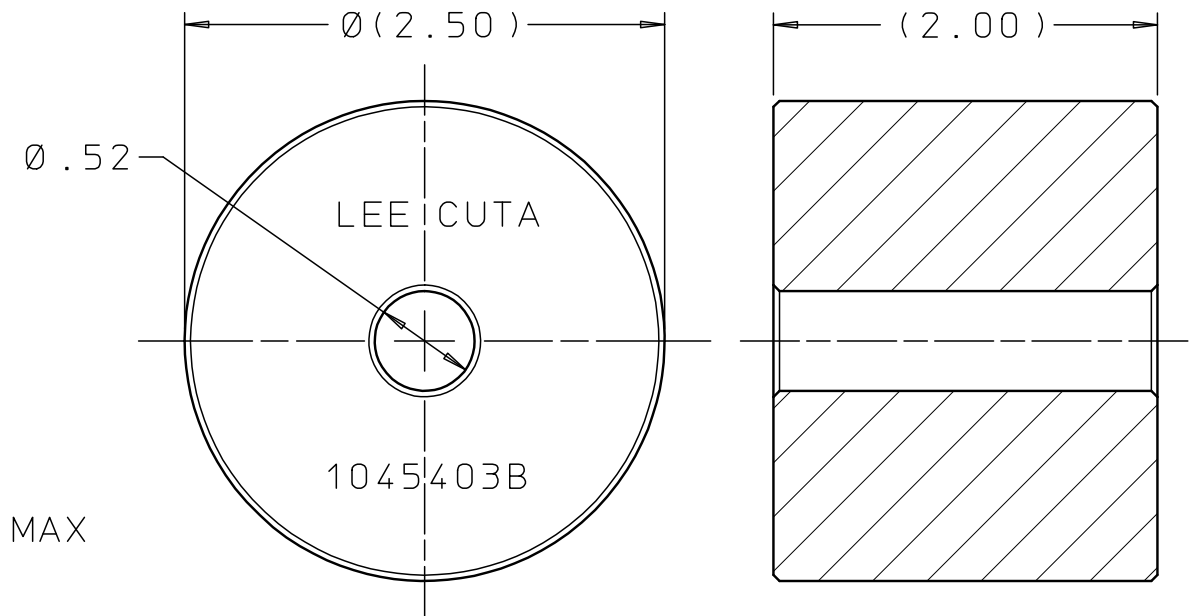
REV	DATE	BY	DESCRIPTION
A	01-28-98	BR	INITIAL RELEASE
B	06-03-02	HM	ADDED CUTA5000606.
2	06-22-10	KD	PIN EXT TOOL; Ø(.50) WAS Ø(.49), PIN INST TOOL; Ø(.50) WAS Ø(.49) & (5.00) WAS 5.00, BODY INST & EXTR TOOL; Ø(.50) WAS Ø(.49), STRIKER; Ø(2.50) WAS Ø2.50 & (2.00) WAS 2.00
C	09-28-16	KD	PIN EXTRACTION & BODY TOOL, REMOVED HEX & ADDED 2 FLATS



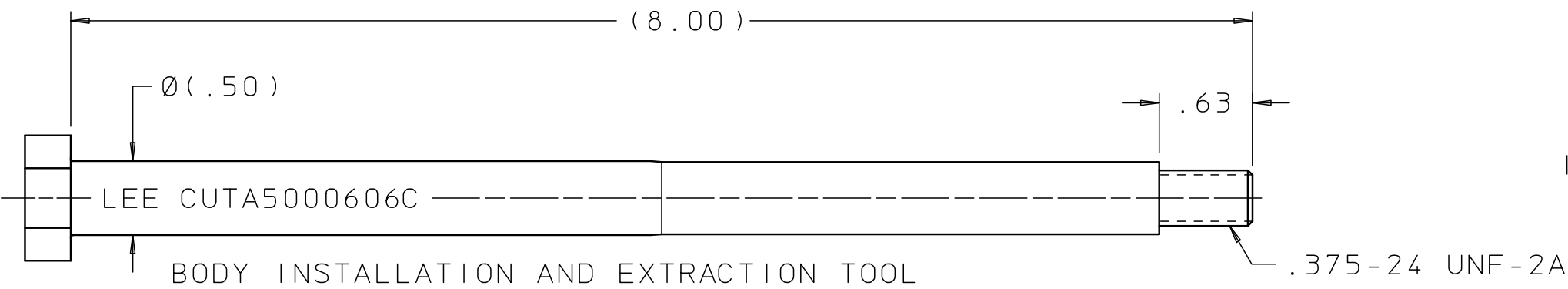
PIN EXTRACTION TOOL



PIN INSTALLATION TOOL



STRIKER



BODY INSTALLATION AND EXTRACTION TOOL

INSTALLATION & EXTRACTION TOOL SET FOR:
.500 HI Q CHECK

PROPRIETARY ITEM
This document contains confidential, trade secret information which is proprietary to The Lee Company, and is submitted upon the express condition that neither it, nor our products, will be used directly or indirectly in any way detrimental to the interests of The Lee Company, such as disclosure to others or replication of our products, and/or in violation of 18 U.S.C. 1905 (TSA), 5 U.S.C. 552 (FOIA), E.O.12600 of 6/23/87, 18 U.S.C. 1832, and C.G.S.A. (CT) Chapter 625 sec. 35-50 thru 35-58.

CUTD0406730
REFERENCE

DWG NO: CUTA5000306C	NOTES AND DIMENSIONS SHOWN HERE ON ARE FOR INSPECTION IDENTIFICATION ONLY. ALL MANUFACTURING RIGHTS RESERVED.		DRAWN BY: B R	01-28-98	LEE TOOL SET INSTALLATION & EXTRACTION		
	EXTERNAL CORNER RAD: INTERNAL FILLET RAD:		CHK'D BY: L B	02-02-98			
	SURFACE FINISH ✓ ALL OVER DIMENSIONS ARE IN INCHES		APP'D BY: B B	02-03-98	THE LEE COMPANY WESTBROOK, CT 06498		
	TOLERANCES 2 PLACES ±.015 3 PLACES ±.005 ANGLES ±5°		MAT:	H.T.:			SIZE: B
		FINISH:	DWG SCALE: NONE		SHEET 1 OF 1		