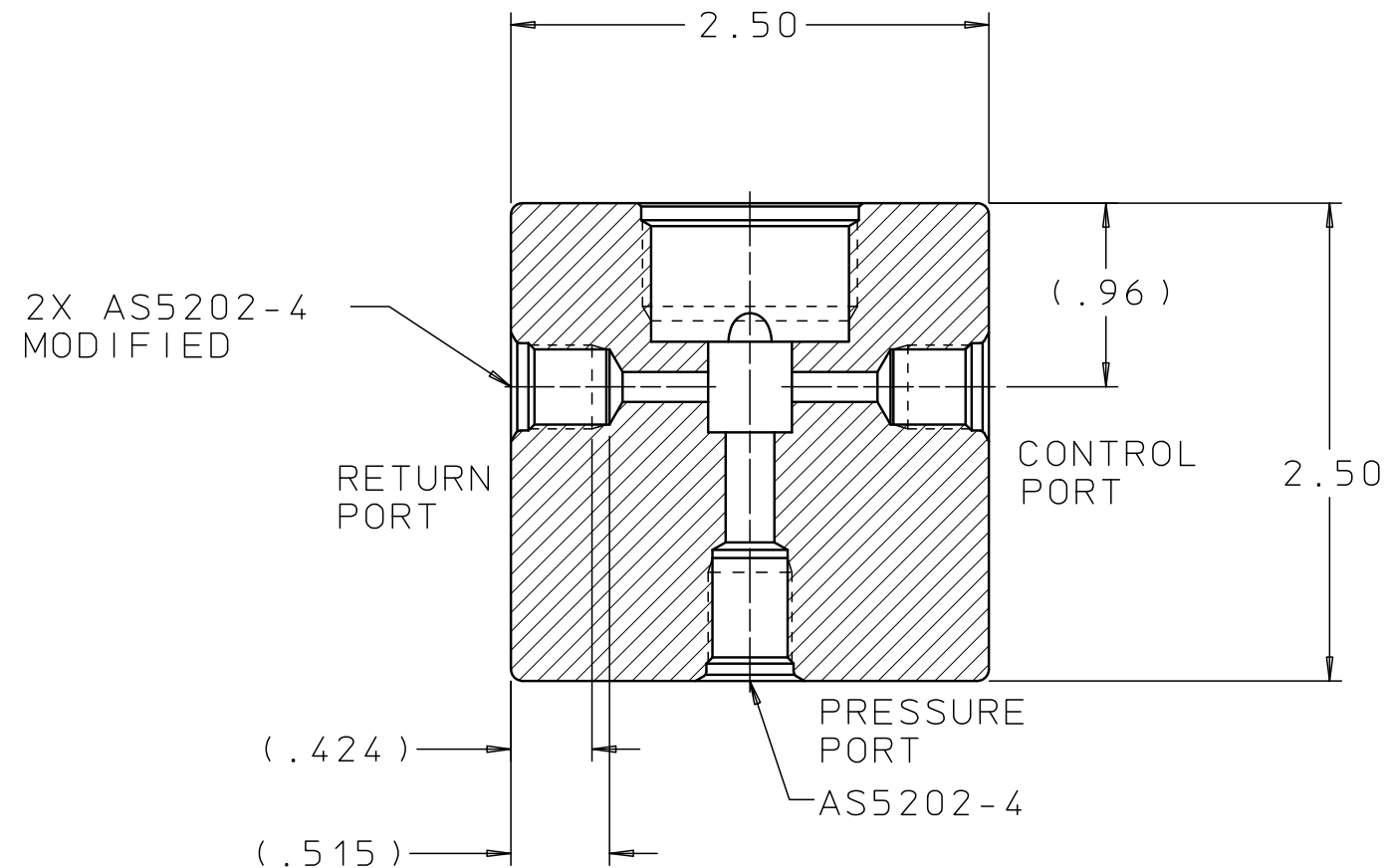
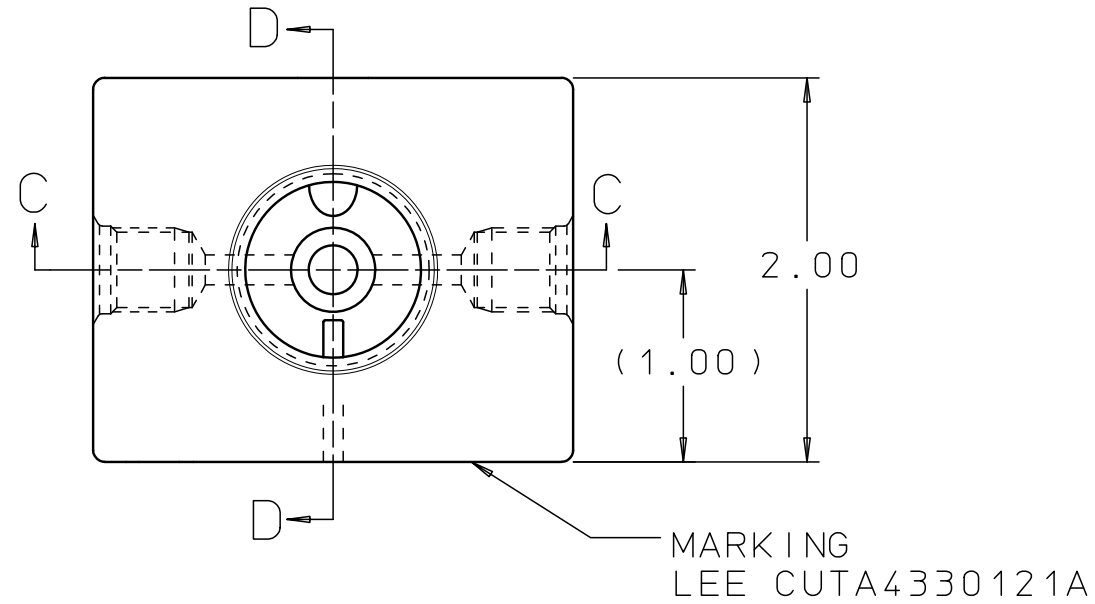
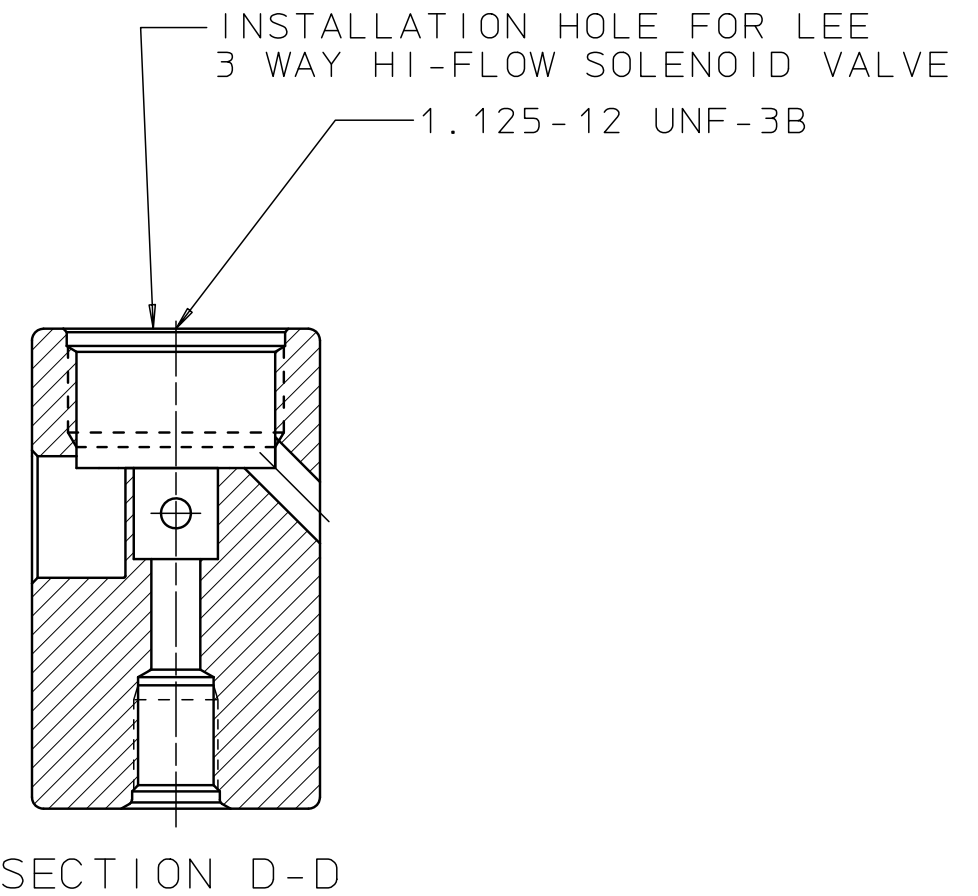


CUTA4330121A

REV	DATE	BY	DESCRIPTION
A	04-22-15	RF	INITIAL RELEASE



SECTION C-C




- NOTES:
1. MAXIMUM PRESSURE 7500 PSI.

PROPRIETARY ITEM

This document contains proprietary information and is submitted upon the express condition that the information contained herein will not be used directly or indirectly in any way detrimental to the interests of The Lee Company, and/or in violation of regulation DAR 7-104.9(a)(1 July 1974), et seq.

CUTD4330121
REFERENCE

DWG NO: CUTA4330121A	UNLESS OTHERWISE SPECIFIED	DRAWN BY: R F	04-22-15	TEST FIXTURE FOR 3-WAY HI-FLOW SOLENOID VALVE	
	EXTERNAL CORNER RAD: INTERNAL FILLET RAD:	CHK'D BY: A S	06-04-15	 THE LEE COMPANY WESTBROOK, CT 06498	
	SURFACE FINISH ✓ ALL OVER	APP'D BY: B B	06-22-15		
	DIMENSIONS ARE IN INCHES	MAT: 2024-T351 ALUMINUM	H.T.:	SIZE: B	CAGE CODE: 92555
TOLERANCES 2 PLACES ±.01 3 PLACES ±.003 ANGLES ±2°	FINISH: CLEAR ANODIZE	DWG SCALE: 1/1		SHEET 1 OF 1	