

4

3

2

1

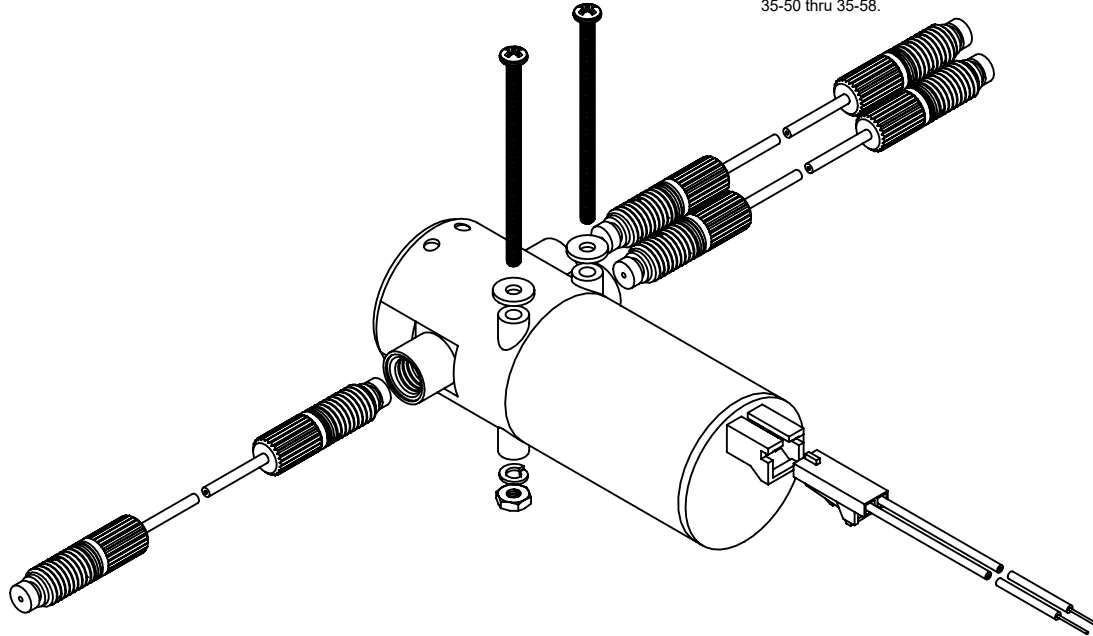


DWG NO. IKT0322760A

REV. A3

PROPRIETARY NOTICE
 This document contains confidential, trade secret information which is proprietary to The Lee Company, and is submitted upon the express condition that neither it, nor our products, will be used directly or indirectly in any way detrimental to the interests of The Lee Company, such as disclosure to others or replication of our products, and/or in violation of 18 U.S.C. 1905 (TSA), 5 U.S.C. 552 (FOIA), E.O. 12600 of 6/23/87, 18 U.S.C. 1832, and C.G.S.A. (CT) Chapter 625 sec. 35-50 thru 35-58.

REV	DATE	BY	DESCRIPTION
A3	10/04/2022	KMT	UPDATED TITLE, UPDATED BOM.



PART NUMBER	TITLE	QUANTITY
LXRA2401000B	Xover@-1/4 28 FB-24V	1
TNTX0500100A	TUBING-30CM-2X 1/4-28FB	3
IHWX0248180A	HARNESS-Xover@-TE-12"	1
IHWX0212470A	KIT-Xover@-MOUNTING	1

NOTES:
 1. KIT TO BE PACKAGED UNASSEMBLED

-FMF-
 THE LEE COMPANY
 CT, USA

WARNING
 EXPORT CONTROLLED BY
 EAR [50 USC 2401] ECCN=EAR99

NOTES AND DIMENSIONS SHOWN HEREIN ARE FOR INSPECTION IDENTIFICATION ONLY ALL MANUFACTURING RIGHTS ARE RESERVED

REF. NO: IKT0322760

DO NOT SCALE DRAWING.
 UNLESS OTHERWISE SPECIFIED (UOS):
 DIMENSIONS ARE IN INCHES.
 [mm] ARE FOR REFERENCE ONLY.

TOLERANCES:
 .XX ± .015
 .XXX ± .005
 .XXXX ± .001
 ANGLES ± 5°
 EXTERNAL CORNER: .01 MAX BREAK
 INTERNAL CORNER: .01 MAX BREAK
 SURFACE FINISH 63/√

DRAWN BY	JAV	01/29/2021
CHECKED BY	RDH	10/04/2022
APPROVED BY	CJC	10/05/2022

MATERIAL:

THIRD ANGLE PROJECTION



TITLE
KIT-Xover@-24 VDC



The Lee Company
 55 Bokum Rd., Essex, CT 06426
 www.theleeco.com

SIZE	DWG NO.	REV.
A	IKTX0322760A	A3

SCALE: 1:1	CODE IDENT NO. ONZR4	SHEET 1 OF 1
------------	----------------------	--------------