

4

3

2

1



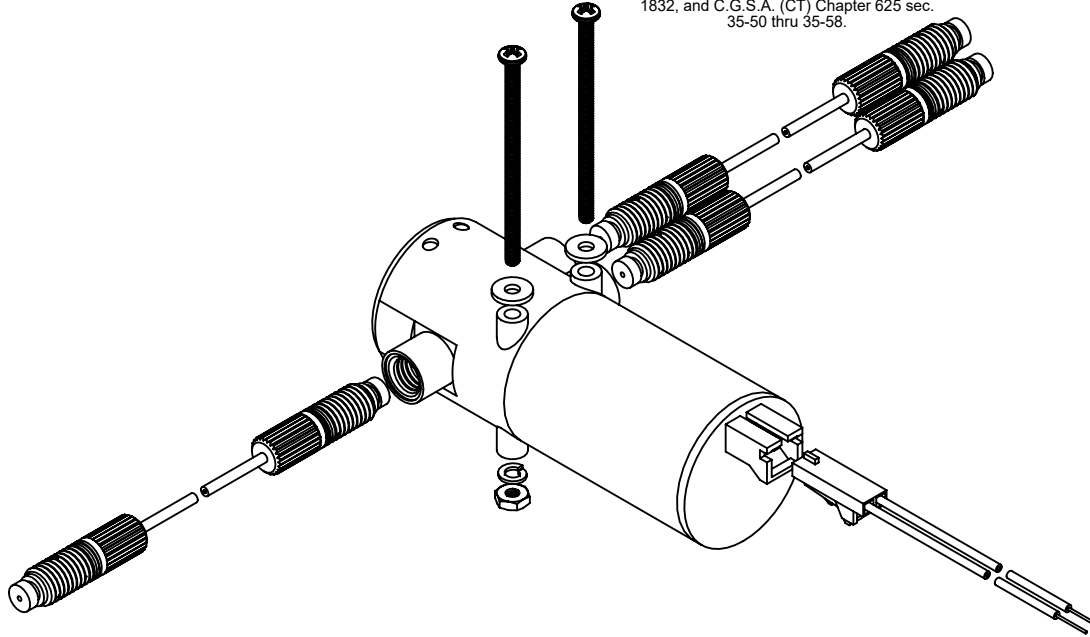
DWG NO. **IKTX0322770A**

REV. **A3**

PROPRIETARY NOTICE
 This document contains confidential, trade secret information which is proprietary to The Lee Company, and is submitted upon the express condition that neither it, nor our products, will be used directly or indirectly in any way detrimental to the interests of The Lee Company, such as disclosure to others or replication of our products, and/or in violation of 18 U.S.C. 1905 (TSA), 5 U.S.C. 552 (FOIA), E.O. 12600 of 6/23/87, 18 U.S.C. 1832, and C.G.S.A. (CT) Chapter 625 sec. 35-50 thru 35-58.

REV	DATE	BY	DESCRIPTION
A3	10/17/2022	KMT	UPDATED TITLE.

B



B

ITEM NO.	PART NUMBER	TITLE	REV.	QUANTITY
1	LXRA1201000B	Xover®-1/4 28 FB-12V	A3	1
2	TNTX0500100A	TUBING-30CM-2X 1/4-28FB	A1	3
3	IHWX0248180A	HARNESS-Xover®-TE-12"	B2	1
4	IHWX0212470A	KIT-Xover®-MOUNTING	A2	1

NOTES:
 1. KIT TO BE PACKAGED UNASSEMBLED

A

A

-FMF-
 THE LEE COMPANY
 CT, USA

DO NOT SCALE DRAWING.
 UNLESS OTHERWISE SPECIFIED (UOS):
 DIMENSIONS ARE IN INCHES.
 [mm] ARE FOR REFERENCE ONLY.

DRAWN BY	JAV	01/15/2021
CHECKED BY	RDH	10/18/2022
APPROVED BY	CJC	10/18/2022

TITLE
KIT-Xover®-12 VDC

WARNING
 EXPORT CONTROLLED BY
 EAR [50 USC 2401] ECCN=EAR99
 NOTES AND DIMENSIONS SHOWN HEREIN ARE
 FOR INSPECTION IDENTIFICATION ONLY ALL
 MANUFACTURING RIGHTS ARE RESERVED

TOLERANCES:
 .XX ± .015
 .XXX ± .005
 .XXXX ± .001
 ANGLES ± 5°
 EXTERNAL CORNER: .01 MAX BREAK
 INTERNAL CORNER: .01 MAX BREAK
 SURFACE FINISH 63/√

MATERIAL:
 THIRD ANGLE PROJECTION

 **The Lee Company**
 55 Bokum Rd., Essex, CT 06426
 www.theleeco.com

SIZE	DWG NO.	REV.
A	IKTX0322770A	A3

REF. NO: IKTD0322770

SCALE: 1:1	CODE IDENT NO. ONZR4	SHEET 1 OF 1
------------	----------------------	--------------