

POWER GENERATION CHEK® VALVES

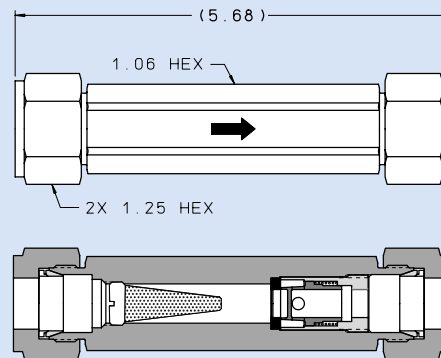
The Lee Company now offers Power Generation Chek® Valves for use in purge air, water injection and liquid fuel applications. The valves are field serviceable, allowing the user to disassemble and service the valve using a rebuild kit. Available with or without a removable, washable Hi-Bar® Safety Screen, the Chek valves are designed according to specific customer requirements and can operate at temperatures up to 450°F. The valves feature a stainless steel poppet design that, in combination with a Vespel® seat, allows for both low leakage and high flow. In addition, each valve is 100% tested and inspected to ensure reliable, consistent long term performance.

Please contact your local Lee Sales Engineer for assistance in specifying your specific performance and fitting end requirements.

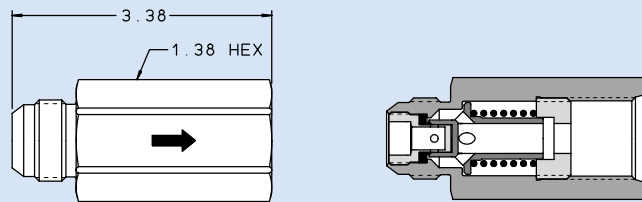
- Field serviceable with replaceable Vespel® seat
- Removable Hi-Bar® Safety Screen available
- One-piece fitting, designed to customer requirements
- Operating temperatures up to 450°F



PURGE AIR AND WATER INJECTION VALVE



LIQUID FUEL VALVE



TYPICAL MATERIALS	
PART	MATERIAL
Housing	316 CRES
Poppet	15-5PH CRES, 13-8 MO CRES
Seat	Vespel®
Retainer	15-5PH CRES, 303 CRES
Spring Seat	304 CRES
Spring	Inconel X-750, Monel, 17-7PH CRES
Safety Screen	15-5PH CRES

TYPICAL PERFORMANCE CAPABILITIES				
APPLICATION	PART NUMBER	CRACKING PRESSURE RANGE	LOHMS*	LEAKAGE
Purge Air	CILX0519700B	1-10 psid	16 Lohms (.05 lb/sec @ 3-5 psid) (exiting to 200 PSIG)	Zero Drops/ Minute
Liquid Fuel	CILX0519800B	1-150 psid	16 Lohms (15 gpm @ 150-175 psid)	ANSI/FCI 70-2 Class VI
Water Injection	CILX0519900B	1-15 psid	40 Lohms (1.5 gpm @ 10 psid)	Zero Drops/ Minute

Vespel® is a registered trademark of Dupont Dow.

* Lohm is a measure of flow resistance.