

PTC SOLENOID VALVE

The Lee Company's new PTC (Pressure-To-Close) Solenoid Valve is the ideal solution for applications where added security is paramount. The dual-ball design ensures the control port remains isolated from the pressure source to help safeguard against any unexpected system conditions. This pressure-to-close configuration has the added performance benefit of reduced leakage.

The PTC Solenoid Valve draws on design elements of our ultra-compact and field-proven piloting solenoid valves. The patented Lee MultiSeal® design radically simplifies port layout, offers significant space savings, reduces machining costs, and provides superior reliability over traditional sealing methods. In addition, an integral HI-BAR® safety screen protects the flow path from rogue contamination and an innovative coil design provides low power consumption and a fast response time. Contact your local Lee Sales Engineer for additional information and technical assistance.

- Pressure-to-close, dual-ball design
- Isolates pressure source from control port
- Qualified for 100,000 cycles
- Maximum de-energized leakage of 10 drops/minute
- Lead wire front or rear
- Integral HI-BAR® safety screen, 0.004 of an inch nominal hole size



LEE PART NUMBER	WIRE EXIT
SDDDB3331233A	Front
SDDDB3331233B	Rear

SPECIFICATIONS	
Type:	2 position, 3-way
Operating Pressure Range:	3000 to 5000 psid
Proof Pressure:	7500 psi
Burst Pressure:	12,500 psid
Lohm* Rate:	4000 Lohms maximum
Temperature Range:	-65°F to +275°F
Maximum Operating Voltage: ...	32.2 VDC
Pull-In Voltage:	18 VDC
Dropout Voltage:	1 VDC
Weight:	0.35 lbs maximum
Internal Leakage at 5000 psid:	De-Energized: 0.5cc/minute maximum Energized: 2cc/minute maximum

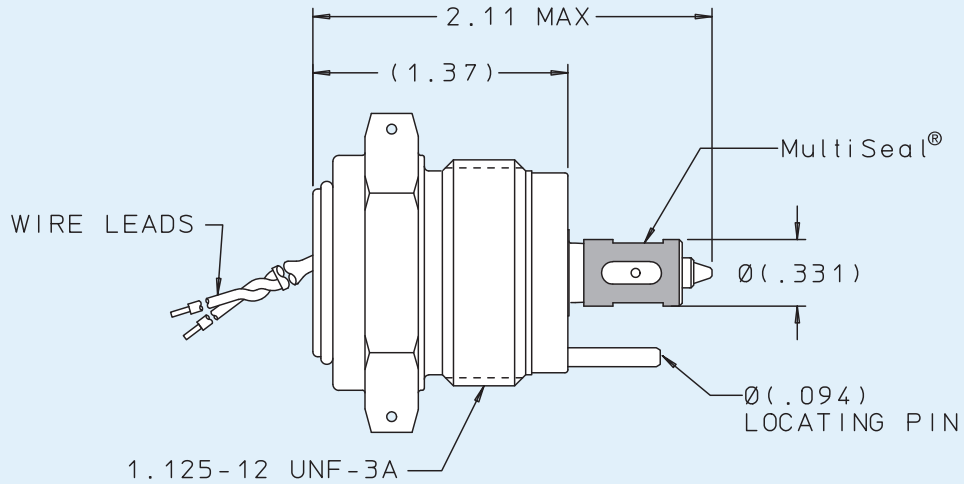
MATERIALS	
Magnetic Path: ...	22-13-5, ferritic stainless steel, and copper wire
Flow Path:	MP35N, elgiloy, and stainless steel
MultiSeal:	Polyamide-imide
Retainer:	Aluminum

*The Lohm is a measure of flow resistance. Additional information can be found at www.theleeco.com/Lohm.

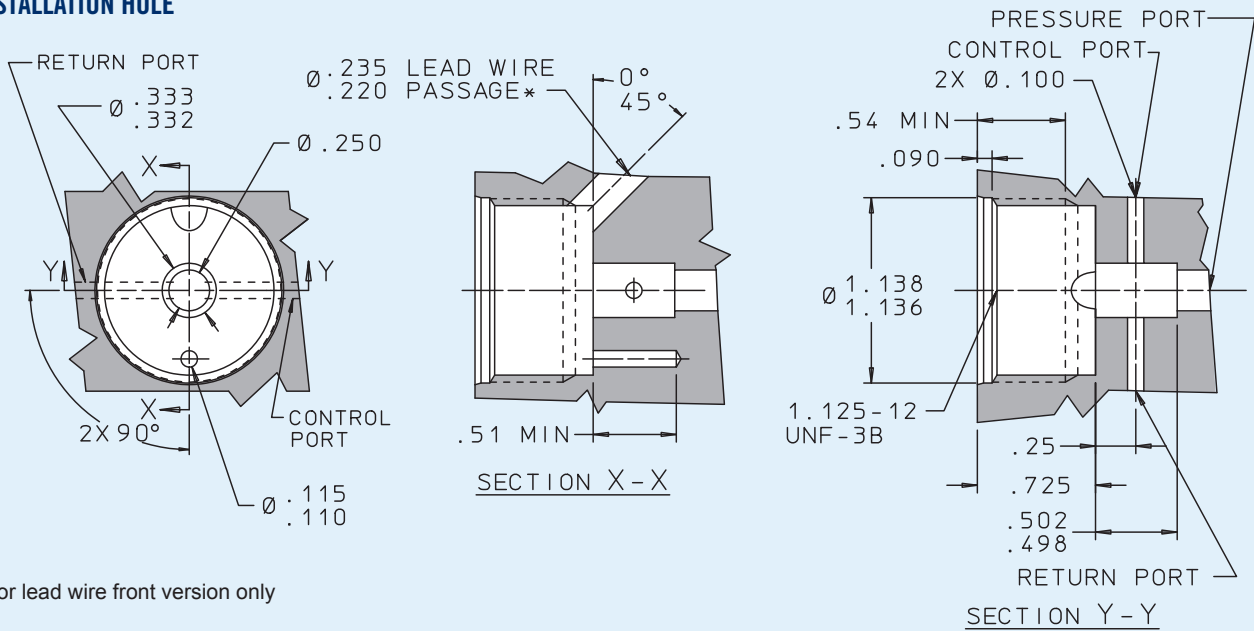


PTC SOLENOID VALVE

ENVELOPE



INSTALLATION HOLE



*For lead wire front version only

PTC SOLENOID VALVE ASSEMBLY

