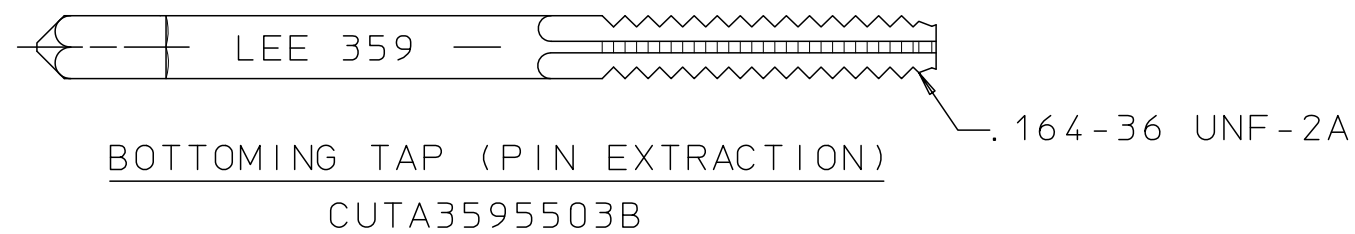
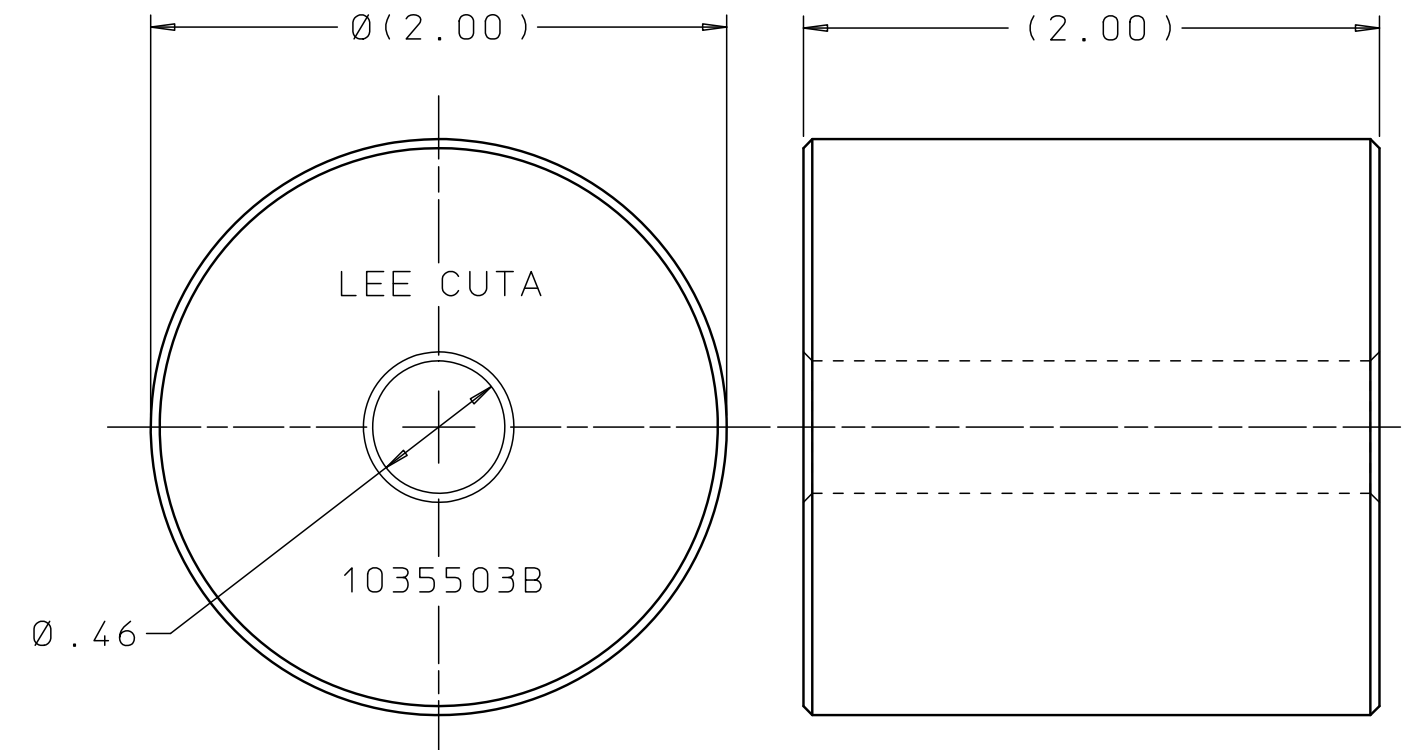
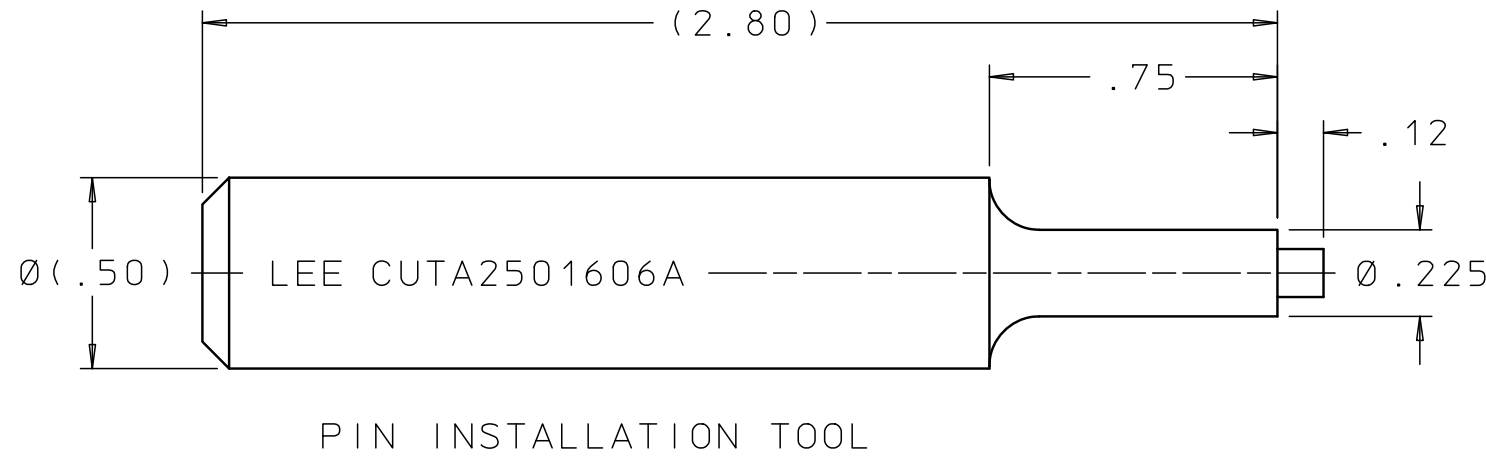
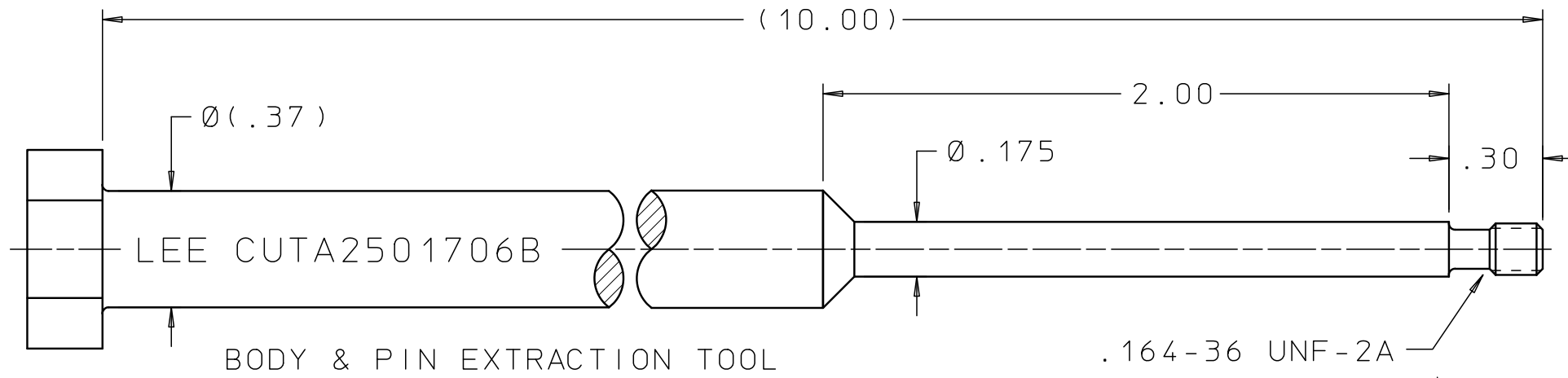


CUTA2500406C

| REV | DATE | BY | DESCRIPTION |
|-----|----------|-----|---|
| A | 02-07-90 | GMR | INITIAL RELEASE |
| B | 05-01-90 | GMR | BODY/PIN EXTRACTION TOOL: Ø .175 WAS Ø .240 |
| 2 | 05-04-00 | HM | REDRAWN NEW FORMAT REMOVED REV LETTERS FROM MARKINGS. |
| 3 | 07-28-10 | KD | BODY/PIN EXTR TOOL: UPDATED HEX & ADDED Ø (.37). PIN INST TOOL: ADDED .12. (2.80) WAS 2.80. Ø (.50) WAS Ø .50. STRIKER: Ø (2.00) WAS Ø 2.00 |
| C | 06-11-13 | KD | BODY & PIN EXTRAC TOOL, REMOVED HEX, ADDED 2 FLATS. |



TOOL SET FOR INSTALLATION AND EXTRACTION OF:
LEE .250-.260 HIGH STRENGTH CHEKS

PROPRIETARY ITEM

This document contains proprietary information and is submitted upon the express condition that the information contained herein will not be used directly or indirectly in any way detrimental to the interests of The Lee Company, and/or in violation of regulation DAR 7-104.9(a)(1 July 1974), et seq.

CUTD0101570
REFERENCE

| | | | | | | | |
|----------------------|---|--|---------------|-----------------|---|--------------|---------|
| DWG NO: CUTA2500406C | NOTES AND DIMENSIONS SHOWN HERE ON ARE FOR INSPECTION IDENTIFICATION ONLY. ALL MANUFACTURING RIGHTS RESERVED. | | DRAWN BY: GMR | 02-07-90 | LEE TOOL SET INSTALLATION/EXTRACTION | | |
| | EXTERNAL CORNER RAD: INTERNAL FILLET RAD: | | CHK'D BY: P C | 02-16-90 | | | |
| | SURFACE FINISH ✓ ALL OVER DIMENSIONS ARE IN INCHES | | APP'D BY: JCD | 02-19-90 | THE LEE COMPANY WESTBROOK, CT 06498 | | |
| | TOLERANCES 2 PLACES ±.015 3 PLACES ±.005 ANGLES ±5° | | MAT: | H.T.: | | | SIZE: B |
| | | | | DWG SCALE: NONE | | SHEET 1 OF 1 | |