

LEE BURST DISC PLUG

The Lee Burst Disc Plug provides reliable, high-pressure relief in a leak-tight, corrosion resistant package.

The Burst Disc Plug is designed to seal a passageway or volume until the rated burst pressure is exceeded. At that point, the burst disc in the plug ruptures, creating a flow passage as large as $\text{\O}.25"$ (12 Lohms*) to relieve the excess pressure or allow flow to/from the isolated system.

Manufactured from Incoloy® 825 and Inconel® 625, the Burst Disc Plug incorporates Lee's field-proven controlled expansion principle, which ensures retention and prevents any bypass leakage without the use of threads or elastomeric seals.



Features:

- Constructed of NACE compliant materials (Incoloy 825 & Inconel 625) for use in high-temperature and corrosive environments
- Brazed with a precious metal alloy to provide a permanent, hermetic seal
- Compact design
 - standard: $\text{\O}.531"$ x $.68"$ OAL
 - special sizes as small as $\text{\O}.250"$ x $.37"$ OAL available upon request
- Utilizes Lee's field-proven controlled expansion seal
 - permanent leak proof design
 - infinite shelf life – no O-ring or elastomeric seal needed
 - no secondary retention required
- Each lot is burst tested and every part is leak tested
- Compatible with liquids and gases
- Burst pressures available: 3,000 - 15,000 psid
- Tolerance: $\pm 10\%$ of rated burst pressure
- Operating pressure: up to 80% of burst pressure
- Operating temperature: up to 450°F (232°C)
- Burst direction**: reverse (forward direction also available upon request)
- Individually marked for ease of identification
 - part number, pressure & tolerance, and burst direction
- Custom configurations are available upon request. Contact your Lee Sales Engineer for additional information and technical assistance.

* The Lohm is a measure of flow resistance. Example: one Lohm will permit a flow of 100 GPM of water at 25 psid at 80°F. Additional information can be found at www.theleeco.com.

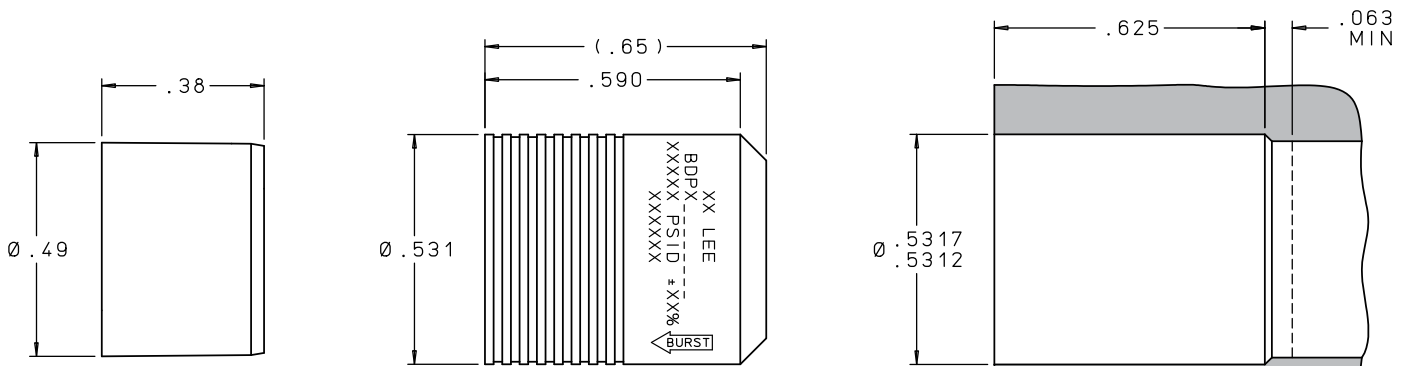
** Forward burst direction – toward 45° seating shoulder; Reverse burst direction – away from 45° seating shoulder.

Typical Applications:

- Downhole Oil Tool
 - System isolation
 - Instrument protection
 - Chemical injection
- Hydraulic/Pneumatic System
 - Overpressure protection
 - Backup for safety relief valve
- Process Industry
 - Protect safety relief valve from corrosive media

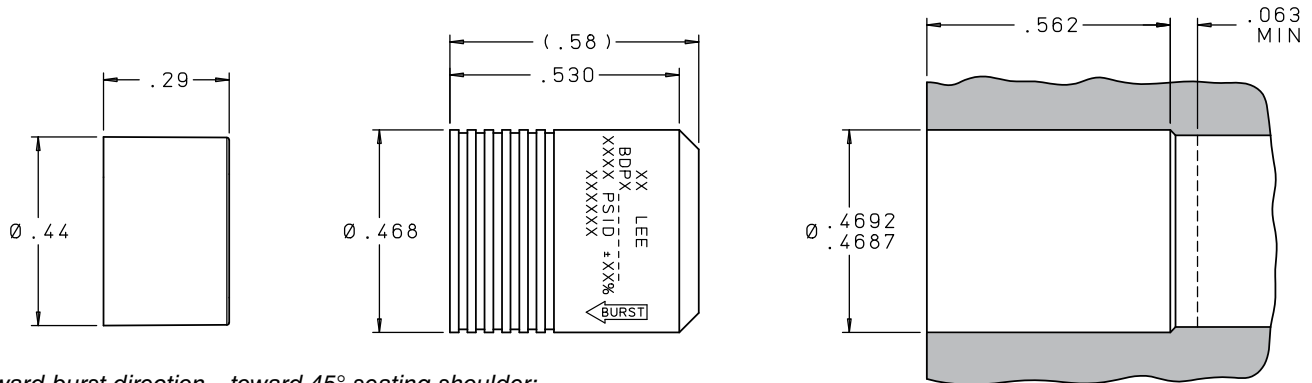
Typical Burst Disc Plug Sizes:

LEE 531 BURST DISC PLUG



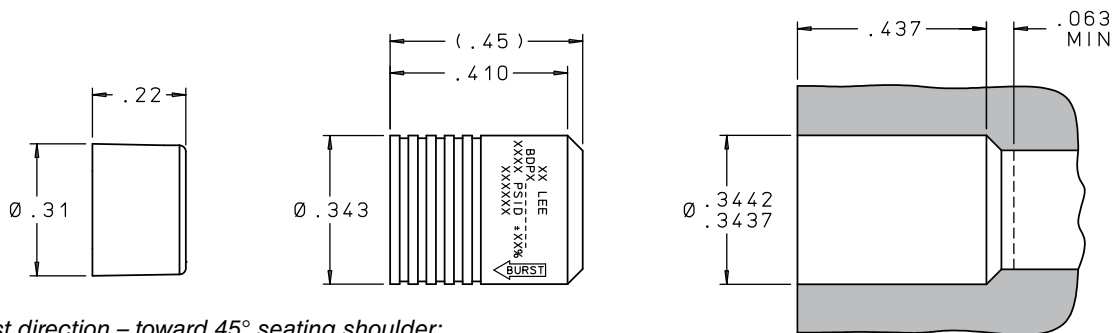
Forward burst direction – toward 45° seating shoulder;
Reverse burst direction – away from 45° seating shoulder.

LEE 468 BURST DISC PLUG



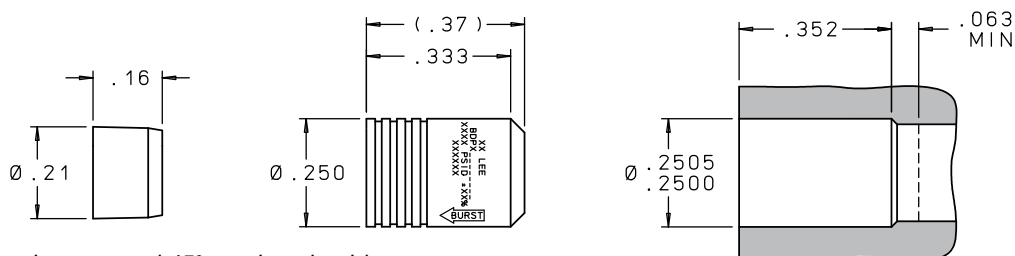
Forward burst direction – toward 45° seating shoulder;
Reverse burst direction – away from 45° seating shoulder.

LEE 343 BURST DISC PLUG



Forward burst direction – toward 45° seating shoulder;
Reverse burst direction – away from 45° seating shoulder.

LEE 250 BURST DISC PLUG



Forward burst direction – toward 45° seating shoulder;
Reverse burst direction – away from 45° seating shoulder.